

Project: _____
 Location: _____
 Cat. #: _____
 Type: _____
 Quantity: _____



FFR G2 22 Power Select | LED Lay-In Retrofit Kit

Features:

- High performance LED technology
- Field selectable output
- 90+ CRI standard
- 0-10V dimming drivers standard
- Field replaceable LED boards and drivers
- Frosted diffuser optimized to balance efficiency and aesthetics
- Available in a wide variety of lumen outputs for maximum flexibility
- Quick and easy installation helps save on labor costs
- Buy American Act compliant *(All base luminaires are BAA compliant. Addition of options may change eligibility. Contact factory for details.)*

Applications:

- Suitable for most commercial and institutional applications
- Office
 - Retail
 - Classrooms
 - Healthcare Facilities

Predicted Lifetime:

- L70: 129,000 hrs (calculated)
- L80: 81,000 hrs (calculated)
- L90: 39,000 hrs (reported)
- 85% lumen maintenance @ 60,000 hrs *(based on LM80 and insitu laboratory testing)*
- Driver: 85,000 hrs at 120V input, 100% load and 60°C/140°F case temperature

Construction:

- Die-formed heavy-gauge cold rolled steel ballast housing with precision brake formed aluminum LED tray
- Frosted Acrylic Diffuser
- White enamel finish

Certifications:

- UL 1598 listed for US and Canada, suitable for damp locations



Warranty:

- 5 year limited system warranty - see www.LumenFocus.com for complete warranty terms and conditions



Ordering Guide:

example: FFR G2 22 SEL35 UV FA 935 EM10

| Series | Size | Output | Voltage | Shielding | CRI/CCT | Options |
|----------------------------|----------------------|--|----------------------|------------------------------|--|---|
| FFR G2 | 22 | | UV | FA | | |
| FFR G2 FFR Gen 2 | 22 2' x 2' | SEL15 15W Selectable Output SEL25 25W Selectable Output SEL35 35W Selectable Output SEL45 45W Selectable Output | UV 120-277 | FA Frosted Acrylic | 930 90 CRI/3000K 935 90 CRI/3500K 940 90 CRI/4000K 950 90 CRI/5000K | Blank No Options EM6 6.5W Emergency Pack ⁽¹⁾ EM10 10W Emergency Pack ⁽¹⁾ EM14 14W Emergency Pack ⁽¹⁾ F Fuse SM Easy Access Side Mounted Driver AR Plenum Ceiling Air Return LVL 0-10V Dimming Leads for Easy Field Access BAA Buy American Act Compliant |

Notes

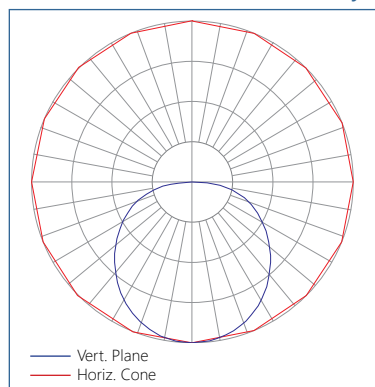
⁽¹⁾ 120-277V / 0°C-55°C ambient. To estimate lumen output in emergency mode, multiply EM wattage by the Lumens per Watt of the lowest output setting of the luminaire it is installed in.
ex. FFR G2 22 SEL45 UV FA 940 EM10 → 137.6 LPW x 10W = 1,376 lm

Below: FFR with AR (Plenum Ceiling Air Return) option

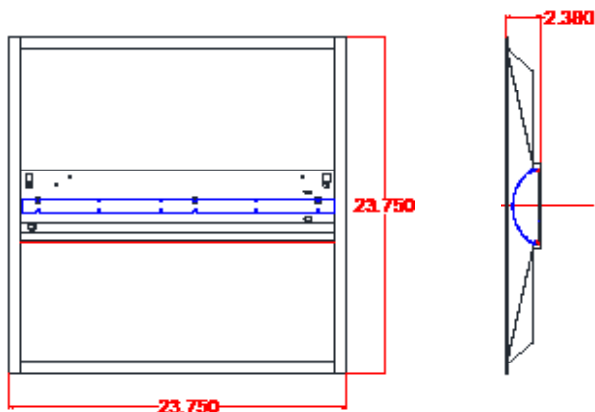


Photometric Data:

Relative Luminous Intensity



Schematic:

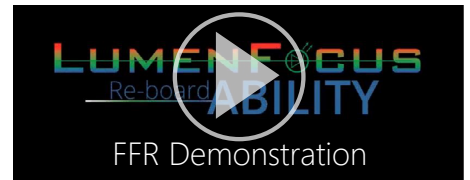


Performance Chart:

| Catalog # | Watts | Lumens (930) | LPW (930) | Lumens (935) | LPW (935) | Lumens (940) | LPW (940) | Lumens (950) | LPW (950) |
|---------------------------|-------|--------------|-----------|--------------|-----------|--------------|-----------|--------------|-----------|
| FFR G2 22 SEL15 UV FA 9xx | 10.3 | 1438.6 | 139.8 | 1444.7 | 140.4 | 1479.0 | 143.7 | 1479.0 | 143.7 |
| | 11.9 | 1655.1 | 139.1 | 1662.0 | 139.7 | 1701.5 | 143.0 | 1701.5 | 143.0 |
| | 14.1 | 1941.1 | 138.0 | 1949.3 | 138.6 | 1995.6 | 141.9 | 1995.6 | 141.9 |
| | 15.7 | 2153.0 | 137.1 | 2162.1 | 137.7 | 2213.5 | 140.9 | 2213.5 | 140.9 |
| FFR G2 22 SEL25 UV FA 9xx | 15.2 | 2153.0 | 142.0 | 2162.1 | 142.6 | 2213.5 | 146.0 | 2213.5 | 146.0 |
| | 17.8 | 2499.4 | 140.1 | 2509.9 | 140.7 | 2569.5 | 144.0 | 2569.5 | 144.0 |
| | 20.6 | 2834.8 | 137.9 | 2846.8 | 138.5 | 2914.4 | 141.8 | 2914.4 | 141.8 |
| | 23.3 | 3156.6 | 135.4 | 3169.9 | 135.9 | 3245.2 | 139.2 | 3245.2 | 139.2 |
| FFR G2 22 SEL35 UV FA 9xx | 24.8 | 3558.4 | 143.6 | 3573.4 | 144.2 | 3658.3 | 147.7 | 3658.3 | 147.7 |
| | 27.4 | 3889.1 | 141.8 | 3905.4 | 142.4 | 3998.2 | 145.8 | 3998.2 | 145.8 |
| | 30.1 | 4208.9 | 139.8 | 4226.6 | 140.4 | 4327.0 | 143.8 | 4327.0 | 143.8 |
| | 32.8 | 4516.4 | 137.7 | 4535.4 | 138.2 | 4643.1 | 141.5 | 4643.1 | 141.5 |
| FFR G2 22 SEL45 UV FA 9xx | 35.9 | 4810.0 | 133.8 | 4830.3 | 134.4 | 4945.0 | 137.6 | 4945.0 | 137.6 |
| | 38.7 | 5088.2 | 131.3 | 5109.6 | 131.9 | 5231.0 | 135.0 | 5231.0 | 135.0 |
| | 41.6 | 5349.3 | 128.7 | 5371.9 | 129.2 | 5499.5 | 132.3 | 5499.5 | 132.3 |
| | 44.4 | 5592.0 | 125.8 | 5615.6 | 126.4 | 5748.9 | 129.4 | 5748.9 | 129.4 |



The FFR features field replaceable boards and drivers. This allows you to upgrade to more efficient technology in the future. Or, in the rare event of a failure, you can rapidly replace defective components. Re-boardABILITY helps to ensure you won't get stuck with an obsolete light fixture. [Learn more about Re-boardABILITY here.](#)



[Click here for a video demonstration of the re-boarding process on a FFR.](#)

Note: Exact time varies depending on the model.



Installation Instructions:



1) Turn off power to luminaire, remove all fluorescent components, dispose of properly.



2) Insert endcaps between ceiling grid and troffer.



3) Slide LED panel between grid and troffer, fasten with provided quarter turns.



4) Connect LED panel with provided disconnect. Insert blank side panel between grid and troffer, fasten with provided quarter turns.



5) Insert lens material into track, turn on power.



Total Install time: less than 5 minutes!



Installation Demo Online:

An online demonstration video can be found on our YouTube channel [at this link](#).

