

Project: \_\_\_\_\_  
Location: \_\_\_\_\_  
Cat. #: \_\_\_\_\_  
Type: \_\_\_\_\_  
Quantity: \_\_\_\_\_



# DSS v2 6 | LED 6" Slim Select Down Light

### Features:

- High performance LED technology
- Dimmable - see compatibility chart on page 2
- Works for retrofit and new construction applications
- Compatible with insulated and non-insulated ceilings
- 90 CRI
- Field selectable color temperature: 2700K / 3000K / 3500K / 4000K / 5000K

### Applications:

Suitable for most commercial, industrial and institutional retrofit & new construction applications

- Retail
- Hospitality
- Office

### Warranty:

- 5 year limited system warranty - see [www.LumenFocus.com](http://www.LumenFocus.com) for complete warranty terms and conditions

### Construction:

- Durable aluminum and polycarbonate construction

### Mounting:

- Spring action clips secure fixture to ceiling or existing frame

### Certifications:

- UL Certified for wet locations
- IP43
- RoHS compliant



### Predicted L70 Lifetime:

- 50,000 hrs

### Ambient Operating Temp:

- -20°C to 40°C

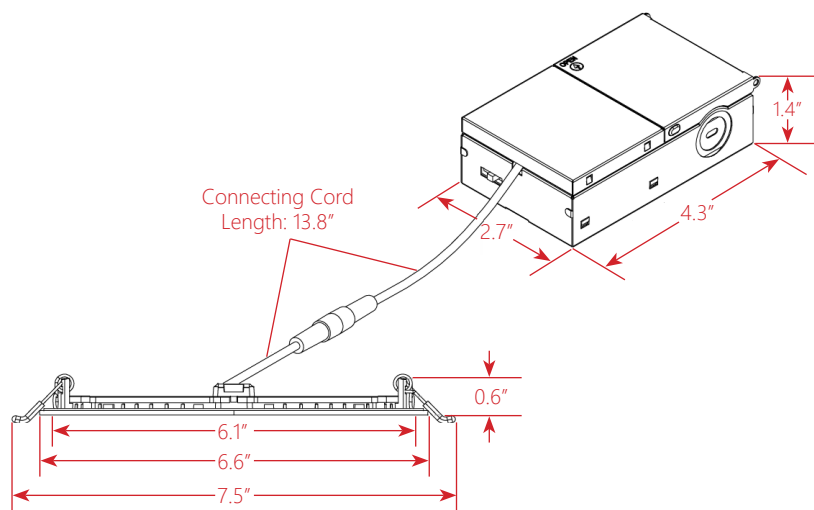


Ordering Guide:

example: DSS v2 6 MD 12 SW 9SEL

Series	Size	Output	Voltage	Reflector Trim	CRI/CCT
DSS v2	6	MD	12	SW	9SEL
<b>DSS v2</b> Slim Down Light Version 2	<b>6</b> 6"	<b>MD</b> Medium	<b>12</b> 120V	<b>SW</b> Smooth White	<b>9SEL</b> 90 CRI / Field Selectable CCT: 2700K 3000K 3500K 4000K 5000K

Schematic:



Dimming Compatibility:

Brand	Model	Compatibility
Lutron	4X603	✓
Lutron	CT-603PGH-WH	✓
Lutron	CTCL-153P	✓
Lutron	CTCL-153PDH-WH	✓
Lutron	DV-600P	✓
Lutron	DVCL-163P-WH	✓
Lutron	DVW-603PGH-WH	✓
Lutron	MACL-153M-WH	✓
Lutron	MIR-600THW-WH	✓
Lutron	NT-1000	✓
Lutron	S-600P	✓
Lutron	S-600PR-WH	✓
Lutron	S-603P	✓
Lutron	SLV-600P-WH	✓
Leviton	6674	✓
Leviton	6672	✓
Leviton	6683	✓
Leviton	1A2305	✓
Leviton	1F4205	✓
Leviton	6633-P	✓
Leviton	DB33K1	✓
Leviton	IPL06	✓
Leviton	VP106	✓

✓ Compatible  
 ✗ Not Recommended

Photometric Data:

**DSS v2 6 MD 12 SW 9SEL**

**Luminaire Lumens:** 1,095 lm  
**Luminaire Watts:** 14.85 W  
**Efficacy:** 73.7 LPW  
**Beam Angle:** 113°

