



Project: \_\_\_\_\_  
 Location: \_\_\_\_\_  
 Cat. #: \_\_\_\_\_  
 Type: \_\_\_\_\_  
 Quantity: \_\_\_\_\_



# NVC | Type C T-LED Vaportight

## Features:

- Type C T8 LED tubes with external driver
- 0-10V dimming drivers standard, down to 10%
- Control options available
- Multiple hanging options, including surface, chain, and aircraft cable, for easy installation
- Durable materials and craftsmanship allows the NVC to withstand some of the harshest environments

## Applications:

Most industrial, retail, and recreational low bay and high bay applications

- Warehouse/Manufacturing Facility
- Food Processing
- Gymnasium
- Car Wash
- Cold/Frozen Storage (*cold temperature rules apply. Refer to warranty document at [www.lumenfocus.com/support](http://www.lumenfocus.com/support) for details*)

## Construction:

- UL 5VA fiberglass housing (will not melt or burn)
- Impact resistant acrylic and UV stabilized polycarbonate lenses
- Pre-painted cold rolled steel gear trays
- Acetal copolymer secure locking plastic latches (stainless steel latches optional)
- Stainless steel mounting hardware

## Certifications:

- UL 1598 listed for US and Canada, suitable for wet locations
- IP65
- IP66
- IP67
- NEMA 4X
- NSF
- PSI 1500
- RoHS



## Ambient Operating Temp.:

- -20°C to 45°C

## Predicted Lifetime:

- Driver Rated Life: 70,000 hrs
- L70: ≥ 70,000 hrs

## Warranty:

- 5 year limited system warranty - see [www.LumenFocus.com](http://www.LumenFocus.com) for complete warranty terms and conditions.
- Lamps: 7 year standard warranty, 10 year extended limited warranty based on depreciated value after 7 yrs, max 6,130 hrs/yr - see Keystone Tech's website for complete warranty terms and conditions.
- Drivers: 7 year standard warranty, 10 year extended limited warranty based on depreciated value after 7 yrs, max 4,380 hrs/yr - see Keystone Tech's website for complete warranty terms and conditions.



Ordering Guide:


example: NVC 4T 2 12T84LED UV 1ED CSA 850 QC Z311BL3 SSL

Series	Length	# Lamps <sup>(1)</sup>	Lamp Type	Voltage	Driver	Shielding	CRI/CCT	Hanging	Controls	Options
NVC				UV						
NVC Type C T-LED Vaportight	2 2'	1 1 Lamp	8T82LED 2; 8W T8 LED Type C Lamp <sup>(2)</sup>	UV 120-277	1ED 1 Electronic Driver <sup>(3)</sup>	CRP Clear Ribbed Polycarbonate <sup>(5)</sup>	830 80+ CRI / 3000K	Blank Surface Mounting Bracket (Comes Standard)	Blank No Controls	Blank No Options
	4 4'	2 2 Lamps	10T84LED 4; 10W T8 LED Type C Lamp		2ED 2 Electronic Drivers <sup>(4)</sup>	FRP Frosted Ribbed Polycarbonate <sup>(5)</sup>	835 80+ CRI / 3500K	SMBB Mounting Bracket Bail (For Chain or Cable Mounting)	ZOS Occupancy Sensor (On/Off) <sup>(6)</sup>	C6 6' Single Circuit Cord
		3 3 Lamps			12T84LED 4; 12W T8 LED Type C Lamp	CSP Clear Shallow Polycarbonate	840 80+ CRI / 4000K	QC Bracket Bail with 10' Quick Hang Cable Kit	ZOFD1 Leviton Bluetooth-enabled Programmable Dimming/ Occupancy/Daylight Harvesting Sensor with Grouping (120-277V) <sup>(6)</sup>	C6(LVL) C6 With Integrated Dimming Leads
	4T 4' Tandem, 8' Total	3 3 Lamps	13.5T84LED 4; 13.5W T8 LED Type C Lamp <sup>(2)</sup>			FSP Frosted Shallow Polycarbonate	850 80+ CRI / 5000K	QC20 Bracket Bail with 20' Quick Hang Cable Kit	ZOFDU Leviton Bluetooth-enabled Programmable Dimming/ Occupancy/Daylight Harvesting Sensor with Grouping, Scheduling (120-480V) <sup>(6)</sup>	C10 10' Single Circuit Cord
						CRA Clear Ribbed Acrylic		SM45 45° Surface Mount Bracket	Z211BL_ Wattstopper FSP Programmable Photo/Motion Multi-Voltage Sensor (high/low/off) <sup>(7)</sup>	C10(LVL) C10 With Integrated Dimming Leads
				FRA Frosted Ribbed Acrylic			Z311BL_ Wattstopper FSP Bluetooth- enabled Programmable Photo/Motion Multi-Voltage Sensor (high/low/off) <sup>(7)</sup>	D6 6' Dual Circuit Cord		
				CSA Clear Shallow Acrylic				D10 10' Dual Circuit Cord	P(NEMA) Plug (Specify NEMA configuration)	
				FSA Frosted Shallow Acrylic				EM6 6.5W Emergency Pack (0°C-55°C ambient) <sup>(8)</sup>		
				CDA Clear Deep Acrylic				EM10 10W Emergency Pack (0°C-55°C ambient) <sup>(8)</sup>		
				FDA Frosted Deep Acrylic				EM14 14W Emergency Pack (0°C-55°C ambient) <sup>(8)</sup>		
								EM10C 10W Cold Temp. Emergency Pack (-20°C-55°C ambient) <sup>(8)</sup>		
								EM16C 16W Cold Temp. Emergency Pack (-20°C-55°C ambient) <sup>(8)</sup>		
								SSL Stainless Steel Latches		
								F Fuse		
								SDT(480V) 480V To 277V Step Down Transformer		
								LVL 0-10V Dimming Leads for Easy Field Access		

Notes

- <sup>(1)</sup> # of lamps is for the profile of the fixture.  
(ex. NVC 4T 1 10T84LED has 1 lamp per 4' section, 2 lamps total)
- <sup>(2)</sup> Not available in 3000K.
- <sup>(3)</sup> Not available for NVC 4T 3 (6 lamps total) configurations.
- <sup>(4)</sup> Not available for single lamp configurations.
- <sup>(5)</sup> Not available on 4T models.
- <sup>(6)</sup> See page 4 for more details.
- <sup>(7)</sup> " " = lens type. See page 4 for more details.
- <sup>(8)</sup> 0°C-55°C ambient. EM wattage must not be greater than total luminaire lamp wattage. (ex. If luminaire contains a single 8W lamp, EM pack must be ≤ 8W. For two 8W lamps, EM pack must be ≤ 16W.)

Controls Accessories (order separately)

 For WattStopper Z221L\_Sensor  
FSIR-100 Wireless IR Programming Tool

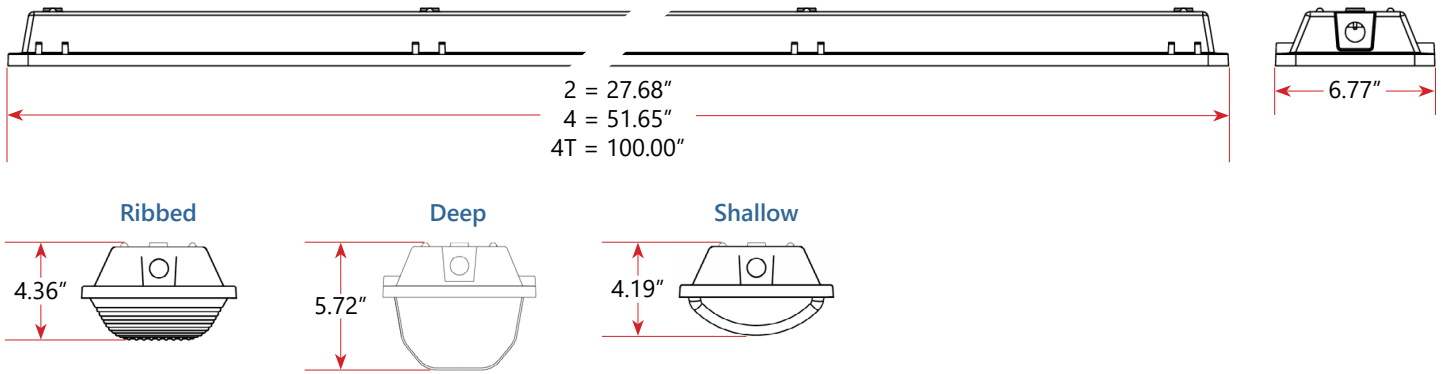
Lamp Chart:

Lamp Type	Nominal Length	System Watts (per lamp)	Lumens per Lamp (3000K)	Lumens per Lamp (3500K)	Lumens per Lamp (4000K)	Lumens per Lamp (5000K)	Rated Life (L70)	Warranty
8T82LED	24"	9	N/A	1,125	1,150	1,200	70,000 hrs	10 Years*
12T83LED	36"	13	1,680	1,680	1,730	1,780	70,000 hrs	10 Years*
10T84LED	48"	11.5	1,600	1,625	1,650	1,700	70,000 hrs	10 Years*
12T84LED	48"	13	1,700	1,700	1,750	1,800	70,000 hrs	10 Years*
13.5T84LED	48"	15	N/A	2,100	2,200	2,200	70,000 hrs	10 Years*

\* 7 yr standard warranty. 10 yr extended limited warranty up to 6,130 operating hours per year, prorated after 7 yrs. See Keystone Tech.'s website for complete warranty terms and conditions.



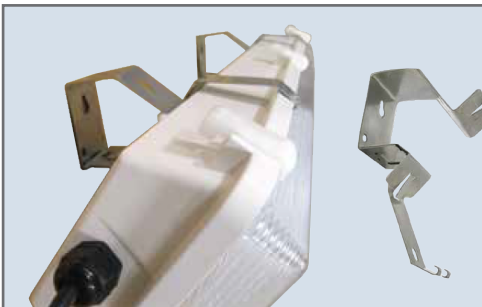
Schematic:



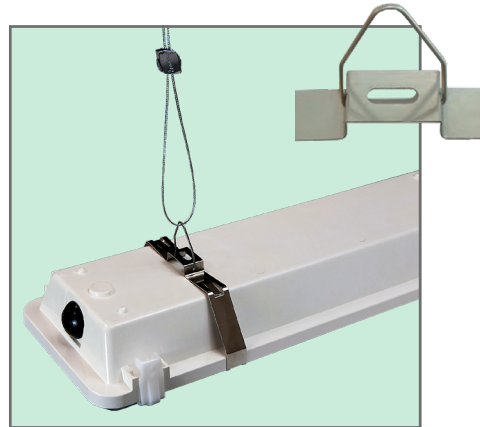
Mounting:



**SM** Surface Mount Bracket (comes standard)



**SM45** 45° Surface Mount Bracket



**SMBB** Surface Mount with Bracket Bail - for chain or cable mounting. (Shown with QC)



## Controls Summary:

Control Code	Type	Capabilities	Communication
ZOS	Motion (PIR)	On/Off	Wired
ZOFD1	Motion (PIR), Daylight Harvesting	High/Low/Off, High-End Trim, Grouping	Wired 0-10V, Programmable via Bluetooth App (iOS, Android)
ZOFDU	Motion (PIR), Daylight Harvesting	High/Low/Off, High-End Trim, Grouping, Scheduling	Wired 0-10V, Programmable via Bluetooth App (iOS, Android)
Z211BLx	Motion (PIR), Photosensor	High/Low/Off, High-End Trim	Wired 0-10V, Programmable via IR remote (sold separately)
Z311BLx	Motion (PIR), Daylight Harvesting	High/Low/Off, High-End Trim	Wired 0-10V, Programmable via Bluetooth App (iOS, Android)

## On/Off Occupancy Sensor (ZOS)

The Leviton OSFHL-CTW (or equivalent) is an end mounted PIR On/Off motion sensor. It comes with two interchangeable lenses: Low Bay (8-25' heights), High Bay (20-40' heights), as well as an aisle mask.

- IP65 rated



## Dimming Sensors (Z211B/Z311B)

- The Wattstopper FSP sensor provides multi-level control based on motion and/or daylight contribution
- Comes pre-installed on the fixture
- Rated for cold locations
- Parameters for Bluetooth-enabled Z311 adjustable via phone app - iOS or Android
- Parameters for Z211 adjustable via wireless configuration tool (FSIR-100 - sold separately)
- Available with black lens for black finishes (pictured right)
- Two lenses available, tailored for the ideal detection area and mounting height:
  - L2: 360° lens, maximum coverage 48', diameter from 8' height
  - L3: 360° lens, maximum coverage 40', diameter from 20' height
  - L7: 360° lens, maximum coverage 100', diameter from 40' height



Phone app interface for Z311B sensor

## Smart Sensors (ZOFDx)

- Leviton Smart IP66 passive infrared (PIR) sensors
- Features mesh grouping (16 devices per group), occupancy sensing, daylight harvesting, scheduling (for ZOSFDU only), single-level switching
- Comes pre-installed on the end of the luminaire
- Rated for cold locations
- Configurable through the Leviton Smart Sensor App using a smartphone or other Bluetooth-enabled iOS or Android device

The ZOFD option includes four sensor lenses that can easily be installed or swapped out in the field. From left: the high bay lens (20'-40' mounting), the high bay lens with aisleway mask, the low bay lens (8'-20' mounting), and the low bay lens with aisleway mask.

