



Project: _____
 Location: _____
 Cat. #: _____
 Type: _____
 Quantity: _____

T-LED
TYPE - B

NVB | Type B T-LED Vaportight

Features:

- Type B-Line Voltage T8 LED tube ready
- Multiple hanging options, including surface, chain, and aircraft cable, for easy installation
- Durable materials and craftsmanship allows the NVB to withstand some of the harshest environments
- Buy American Act compliant (*All base luminaires are BAA compliant without lamps. Addition of options may change eligibility. Contact factory for details.*)

Applications:

Most industrial, retail, and recreational low bay and high bay applications

- Warehouse/Manufacturing Facility
- Food Processing
- Gymnasium
- Car Wash
- Cold/Frozen Storage (*cold temperature rules apply. Refer to warranty document at www.lumenfocus.com/support for details*)

Warranty:

- 5 year limited system warranty - see www.LumenFocus.com for complete warranty terms and conditions.
- Lamps: 5 year standard warranty. 10 year extended limited warranty based on depreciated value after 5 yrs, max 4,380 hrs/yr - see Keystone Tech's website for complete warranty terms and conditions.

Construction:

- UL 5VA fiberglass housing (will not melt or burn)
- Impact resistant acrylic and UV stabilized polycarbonate lenses
- Pre-painted cold rolled steel gear trays
- Acetal copolymer secure locking plastic latches (stainless steel latches optional)
- Stainless steel mounting hardware

Certifications:

- UL 1598 listed for US and Canada, suitable for wet locations
- IP65
- IP66
- IP67
- NEMA 4X
- NSF
- PSI 1500
- RoHS

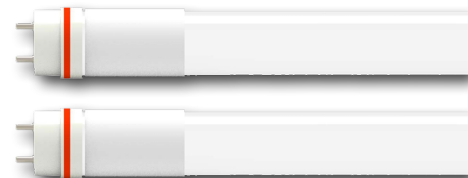


Ambient Operating Temp.:

• -20°C to 45°C per lamp specifications
Consult manufacturer's spec sheet for specific lamp operating temperatures



10 YEAR
EXTENDED
WARRANTY



Ordering Guide:

example: NVB 4T 2 T8LED UV SENS CRA QC SSL 18.5T848GCSD 850

Series	Length	# Lamps ⁽¹⁾	Lamp Type	Voltage	Wiring	Shielding	Hanging	Options	Lamps	CRI/CCT ⁽⁵⁾						
NVB			T8LED	UV												
NVB Type B T-LED Vaportight	2 2'	1 1 Lamp	T8LED T8 LED Type B-Line Voltage Lamp	UV 120-277	SENS Single End, Non-Shunted Sockets	CRP Clear Ribbed Polycarbonate ⁽²⁾	Blank Surface Mounting Bracket (Comes Standard)	Blank No Options	NL Lamps Not Included	Blank Lamps Not Included						
	4 4'	2 2 Lamps									DENS Double End, Non-Shunted Sockets	FRP Frosted Ribbed Polycarbonate ⁽²⁾	SMBB Mounting Bracket Bail (For Chain or Cable Mounting)	C6 6' Single Circuit Cord	2' Lamp Options: 7T82GCSD 2'; 7W T8, Coated Glass, Single/Double End Wiring	827 80+ CRI / 2700K
	4T 4' Tandem, 8' Total	3 3 Lamps									DES Double End, Shunted Sockets	CSP Clear Shallow Polycarbonate	QC Bracket Bail with 10' Quick Hang Cable Kit	D6 6' Dual Circuit Cord	3' Lamp Options: 12T83GCSD 3'; 12W T8, Coated Glass, Single/Double End Wiring	830 80+ CRI / 3000K
												FSP Frosted Shallow Polycarbonate	QC20 Bracket Bail with 20' Quick Hang Cable Kit	D10 10' Dual Circuit Cord	4' Lamp Options: 10.5T84GSD 4'; 10.5W T8, Glass, Single/ Double End Wiring	835 80+ CRI / 3500K
												CRA Clear Ribbed Acrylic	SM45 45° Surface Mount Bracket	P(NEMA) Plug (Specify NEMA configuration)	15T84GCSD 4'; 15W T8, Coated Glass, Single/Double End Wiring	840 80+ CRI / 4000K
												FRA Frosted Ribbed Acrylic		EM5 5W Emergency Driver KT-EMRG-LED-5-500- AC ⁽³⁾	14.5T84GSD 4'; 14.5W T8, Glass, Single/ Double End Wiring	850 80+ CRI / 5000K
			CSA Clear Shallow Acrylic		EM12 12W Emergency Driver KT-EMRG-LED-12- 1200-AC ⁽³⁾	18.5T84GCSD 4'; 18.5W T8, Coated Glass, Single/Double End Wiring	865 80+ CRI / 6500K									
			FSA Frosted Shallow Acrylic		SSL Stainless Steel Latches											
			CDA Clear Deep Acrylic		F Fuse											
			FDA Frosted Deep Acrylic		BAA Buy American Act Compliant ⁽⁴⁾											
									25T84GSD 4'; 25W T8, Glass, Single/Double End Wiring							

Notes

- ⁽¹⁾ # of lamps is for the profile of the fixture (ex. NVB 4T 2 T8LED has 2 lamps per 4' section, 4 lamps total)
- ⁽²⁾ Not available on 4T models.
- ⁽³⁾ 0°C-55°C operating temp. Single end wiring only. Check lamp manufacturer for compatibility.
- ⁽⁴⁾ Certain options, including lamps, may not be eligible for BAA compliance. Contact factory for details.
- ⁽⁵⁾ Not all color temperatures are available for all lamp types. See lamp chart on page 3 for details.

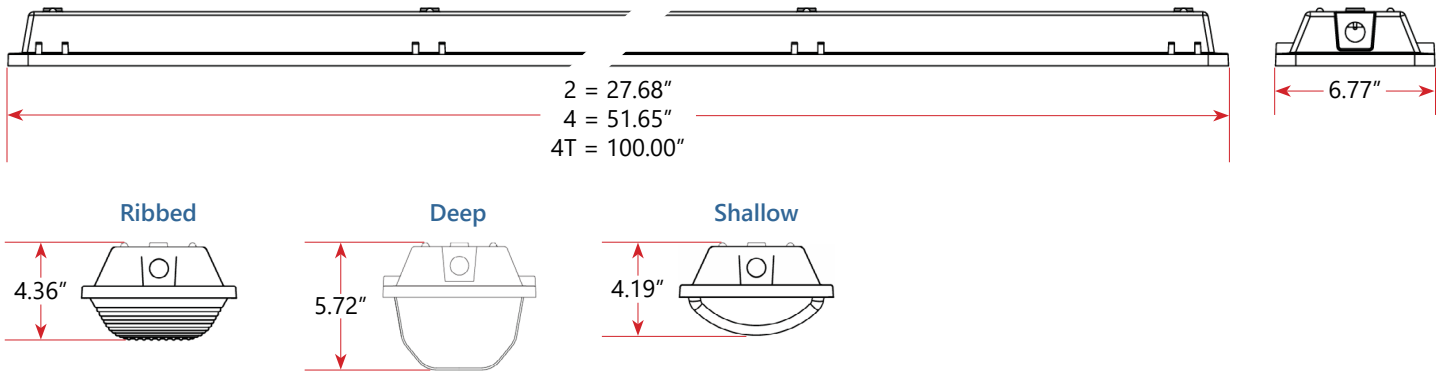
Lamp Chart:

Lamp Code	Lamp Model	Nominal Length	Watts	Lumens 827	Lumens 830	Lumens 835	Lumens 840	Lumens 850	Lumens 865	Construction	Wiring	Rated Life	Warranty
7T82GCSD	KT-LED7T8-24GC-8xx-DX2 /G2	24"	7	N/A	N/A	950	1,000	1,000	N/A	Coated Glass	Single or Double End	50,000 hours	10 Years*
12T83GCSD	KT-LED12T8-36GC-8xx-DX2 /G2	36"	12	N/A	N/A	1,600	1,650	1,650	N/A	Coated Glass	Single or Double End	50,000 hours	10 Years*
10.5T84GSD	KT-LED10.5T8-48G-8xx-DX2 /G2	48"	10.5	1,650	1,650	1,650	1,700	1,720	N/A	Glass	Single or Double End	50,000 hours	10 Years*
14.5T84GSD	KT-LED14.5T8-48G-8xx-DX2 /G2	48"	14.5	N/A	1,900	1,900	2,000	2,000	2,000	Glass	Single or Double End	50,000 hours	10 Years*
15T84GCSD	KT-LED15T8-48GC-8xx-DX2 /G2	48"	15	N/A	1,900	1,900	2,000	2,000	2,000	Coated Glass	Single or Double End	50,000 hours	10 Years*
18.5T84GCSD	KT-LED18.5T8-48GC-8xx-DX2 /G2	48"	18.5	N/A	N/A	2,450	2,500	2,600	2,600	Coated Glass	Single or Double End	50,000 hours	10 Years*
25T84GSD	KT-LED25T8-48G-8xx-DX2	48"	25	N/A	3,000	3,000	2,900	3,000	N/A	Glass	Single or Double End	50,000 hours	10 Years*

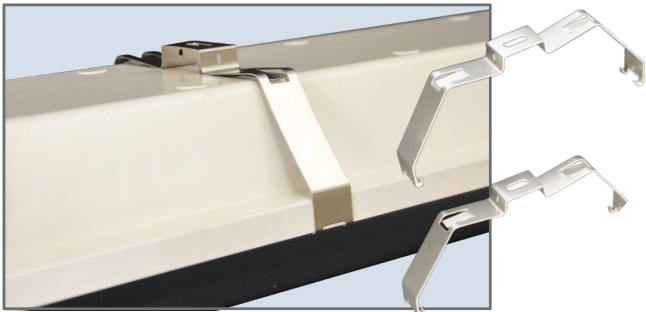
* 5 yr standard warranty. 10 yr extended limited warranty up to 4,380 operating hours per year, based on depreciated value after 5 yrs. See Keystone Tech.'s website for complete warranty terms and conditions.



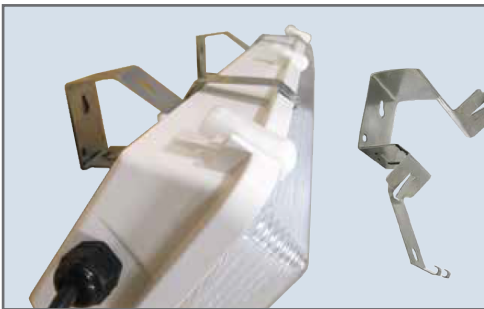
Schematic:



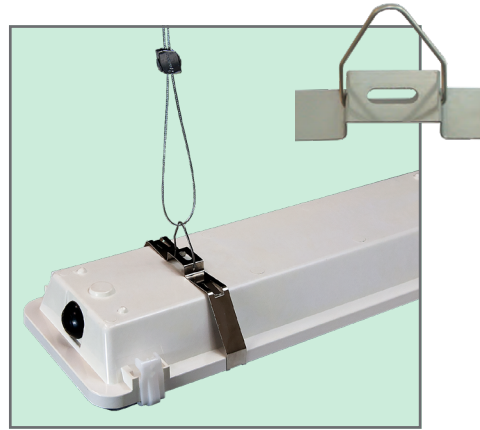
Mounting:



SM Surface Mount Bracket (comes standard)



SM45 45° Surface Mount Bracket



SMBB Surface Mount with Bracket Bail - for chain or cable mounting. (Shown with QC)

