



Project: \_\_\_\_\_  
 Location: \_\_\_\_\_  
 Cat. #: \_\_\_\_\_  
 Type: \_\_\_\_\_  
 Quantity: \_\_\_\_\_

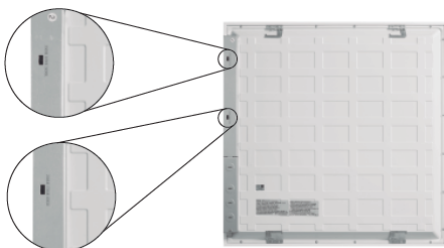


# FPB v2 Select | LED Selectable Backlit Flat Panel

## Features:

- High performance LED technology
- **All models sold in 2 packs only**
- Field selectable color temperature: 3000K / 3500K / 4000K / 5000K / 6500K for non-EM models; 3500K / 4000K / 5000K for EM models
- Field selectable output: choose from five wattage outputs for non-EM models; three wattage outputs for EM models
- 0-10V dimming standard (10%-100%)
- Uniform illumination with no visible LED pixilation
- Recessed in grid ceilings with integral clips for secure attachment. Surface mount and suspension cable mount kits available

### CCT Selectable



### Wattage Selectable

## Applications:

Suitable for most commercial and institutional applications

- Office
- Retail
- Classrooms
- Healthcare Facilities

## Construction:

- Steel die-formed back enclosure and frame in white finish
- PMMA lensing over LEDs - will not discolor over time

## Certifications:

- UL listed for damp locations
- IC-rated for insulated ceilings
- RoHS, FCC



## Lifetime:

- 50,000 hrs rated life
- L70: >60,000 hrs (reported)  
88.6% lumen maintenance @ 60,000hrs
- L90: 52,000 hrs  
*(based on LM-80, TM-21 and in-situ laboratory testing)*

## Warranty:

- 5 year limited system warranty - see [www.LumenFocus.com](http://www.LumenFocus.com) for complete warranty terms and conditions



## Ambient Operating Temp:

- 0°C to 35°C



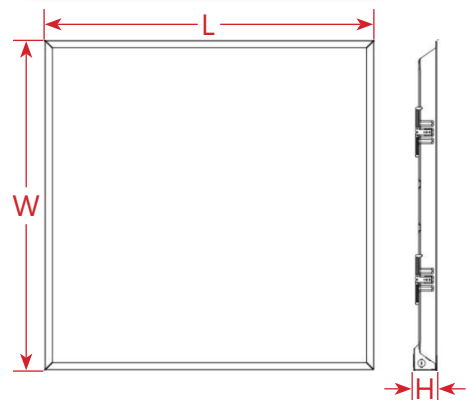
Ordering Guide:

example: FPB v2 24 SEL5 UV FR 8SEL5

Series	Size	Output	Voltage	Shielding	CRI/CCT	Options
FPB v2			UV	FR		
FPB v2 Backlit Flat Panel Version 2 <sup>(1)</sup>	<b>22</b> 2' x 2'	<b>SEL5</b> Selectable Output: 5 Field Selectable Wattage Outputs	<b>UV</b> 120-277	<b>FR</b> Frosted Acrylic Lens	<b>8SEL5</b> 80 CRI / 5 Field Selectable CCTs: 3000K / 3500K / 4000K / 5000K / 6500K	<b>Blank</b> No Options
	<b>24</b> 2' x 4'					
	<b>14</b> 1' x 4'					
	<b>22</b> 2' x 2'	<b>SEL3</b> Selectable Output: 3 Field Selectable Wattage Outputs	<b>UV</b> 120-277	<b>FR</b> Frosted Acrylic Lens	<b>8SEL3</b> 80 CRI / 3 Field Selectable CCTs: 3500K / 4000K / 5000K	<b>EM8</b> 8W Emergency Pack <sup>(2)</sup>
	<b>24</b> 2' x 4'					

Schematic:

Size	L	W	H
2' x 2'	23.74"	23.74"	1.65"
2' x 4'	47.76"	23.74"	1.65"
1' x 4'	47.76"	11.81"	1.65"



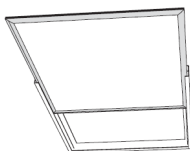
Notes

- <sup>(1)</sup> All FPBv2 models sold in 2 packs only
- <sup>(2)</sup> 1200 lumen EM pack. Not available in 1x4. Not available in SEL5.

Mounting Accessories (order separately)

Surface Mount Kits

- SMK14 Surface Mount Kit for 1x4, white finish
- SMK22 Surface Mount Kit for 2x2, white finish
- SMK24 Surface Mount Kit for 2x4, white finish



Frame-In Kits

- FIK14 Frame-In Kit for 1x4
- FIK22 Frame-In Kit for 2x2
- FIK24 Frame-In Kit for 2x4

Suspension Cable Mount Kits

- CM2 2-Cable Kit



Performance Chart:

Catalog #	Watts	Lumens	LPW
FPB v2 22 SEL UV FR 8SEL	20	2500	125
	25	3125	
	30	3750	
	35	4375	
	40	5000	
FPB v2 24 SEL UV FR 8SEL	30	3750	125
	35	4375	
	40	5000	
	45	5625	
	50	6250	
FPB v2 14 SEL UV FR 8SEL	20	2500	125
	25	3125	
	30	3750	
	35	4375	
	40	5000	

Photometric Data:

Relative Luminous Intensity

