

Project: _____
 Location: _____
 Cat. #: _____
 Type: _____
 Quantity: _____



FFL G2 22 Power Select | LED Lay-In

Features:

- High performance LED technology
- Field selectable output
- 90+ CRI standard
- 0-10V dimming drivers standard
- Field replaceable LED boards and drivers
- Frosted diffuser optimized to balance efficiency and aesthetics
- Available in a wide variety of lumen outputs for maximum flexibility
- Low profile and lightweight housing allows for easy installation
- Buy American Act compliant *(All base luminaires are BAA compliant. Addition of options may change eligibility. Contact factory for details.)*

Applications:

- Suitable for most commercial and institutional applications
- Office
 - Retail
 - Classrooms
 - Healthcare Facilities

Warranty:

- 5 year limited system warranty - see www.LumenFocus.com for complete warranty terms and conditions

Construction:

- Die-formed heavy-gauge cold rolled steel ballast housing with precision brake formed aluminum LED tray
- Frosted Acrylic Diffuser
- White enamel finish

Certifications:

- UL 1598 listed for US and Canada, suitable for damp locations



Predicted Lifetime:

- L70: 129,000 hrs (calculated)
- L80: 81,000 hrs (calculated)
- L90: 39,000 hrs (reported)
- 85% lumen maintenance @ 60,000 hrs *(based on LM80 and insitu laboratory testing)*
- Driver: 85,000 hrs at 120V input, 100% load and 60°C/140°F case temperature



Ordering Guide:

example: FFL G2 22 SEL25 UV FA 935 EM10

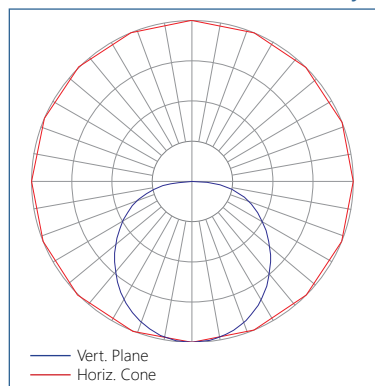
Series	Size	Output	Voltage	Shielding	CRI/CCT	Mounting	Options
FFL G2	22		UV	FA			
FFL G2 FFL Gen 2	22 2' x 2'	SEL15 15W Selectable Output SEL25 25W Selectable Output SEL35 35W Selectable Output SEL45 45W Selectable Output	UV 120-277	FA Frosted Acrylic	930 90 CRI/3000K 935 90 CRI/3500K 940 90 CRI/4000K 950 90 CRI/5000K	Blank None SMK Surface Mount Kit FIK Frame-in Kit	Blank No Options W6 6' Whip W10 10' Whip EM6 6.5W Emergency Pack ⁽¹⁾ EM10 10W Emergency Pack ⁽¹⁾ EM14 14W Emergency Pack ⁽¹⁾ F Fuse GC Grid Clip SDT(347V) 347V to 277V Step Down Transformer AR Plenum Ceiling Air Return LVL 0-10V Dimming Leads for Easy Field Access BAA Buy American Act Compliant

Notes

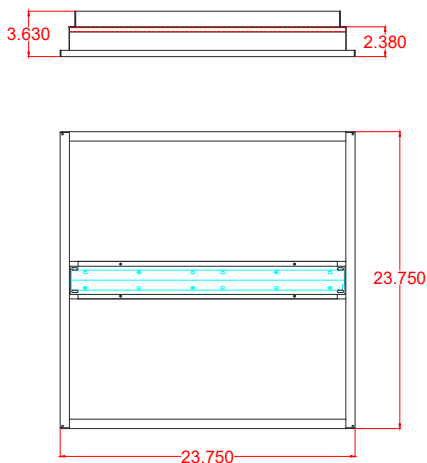
⁽¹⁾ 120-277V / 0°C-55°C ambient. To estimate lumen output in emergency mode, multiply EM wattage by the Lumens per Watt of the lowest output setting of the luminaire it is installed in.
ex. FFL G2 22 SEL45 UV FA 940 EM10 → 133.7 LPW x 10W = 1,337 lm

Photometric Data:

Relative Luminous Intensity



Schematic:



Performance Chart:

Catalog #	Watts	Lumens (930)	LPW (930)	Lumens (935)	LPW (935)	Lumens (940)	LPW (940)	Lumens (950)	LPW (950)
FFL G2 22 SEL15 UV FA 9xx	10.3	1398.6	135.9	1404.5	136.5	1437.8	139.7	1437.8	139.7
	11.9	1609.0	135.2	1615.8	135.8	1654.2	139.0	1654.2	139.0
	14.1	1887.1	134.2	1895.1	134.8	1940.1	138.0	1940.1	138.0
	15.7	2093.1	133.3	2101.9	133.8	2151.9	137.0	2151.9	137.0
FFL G2 22 SEL25 UV FA 9xx	15.2	2093.1	138.0	2101.9	138.6	2151.9	141.9	2151.9	141.9
	17.8	2429.8	136.2	2440.1	136.8	2498.0	140.0	2498.0	140.0
	20.6	2755.9	134.1	2767.5	134.6	2833.3	137.8	2833.3	137.8
	23.3	3068.7	131.6	3081.6	132.2	3154.8	135.3	3154.8	135.3
FFL G2 22 SEL35 UV FA 9xx	24.8	3459.4	139.6	3474.0	140.2	3556.5	143.6	3556.5	143.6
	27.4	3780.8	137.9	3796.7	138.5	3886.9	141.7	3886.9	141.7
	30.1	4091.7	135.9	4109.0	136.5	4206.6	139.8	4206.6	139.8
	32.8	4390.7	133.8	4409.2	134.4	4513.9	137.6	4513.9	137.6
FFL G2 22 SEL45 UV FA 9xx	35.9	4676.1	130.1	4695.8	130.6	4807.3	133.7	4807.3	133.7
	38.7	4946.5	127.7	4967.4	128.2	5085.4	131.3	5085.4	131.3
	41.6	5200.4	125.1	5222.4	125.6	5346.4	128.6	5346.4	128.6
	44.4	5436.3	122.3	5459.3	122.8	5588.9	125.8	5588.9	125.8

LUMENFOCUS
Re-boardABILITY

The FFL features field replaceable boards and drivers. This allows you to upgrade to more efficient technology in the future. Or, in the rare event of a failure, you can rapidly replace defective components. Re-boardABILITY helps to ensure you won't get stuck with an obsolete light fixture. [Learn more about Re-boardABILITY here.](#)



[Click here for a video demonstration of the re-boarding process on a FFL.](#)
Note: Exact time varies depending on the model.



FFL 2x2 with Surface Mount Kit option

