

Project: \_\_\_\_\_  
 Location: \_\_\_\_\_  
 Cat. #: \_\_\_\_\_  
 Type: \_\_\_\_\_  
 Quantity: \_\_\_\_\_



# FFL 2R G2 22 Power Select | LED Lay-In

## Features:

- High performance LED technology
- Field selectable output
- 90+ CRI standard
- 0-10V dimming drivers standard
- Field replaceable LED boards and drivers
- Frosted diffuser optimized to balance efficiency and aesthetics
- Available in a wide variety of lumen outputs for maximum flexibility
- Low profile and lightweight housing allows for easy installation
- Buy American Act compliant *(All base luminaires are BAA compliant. Addition of options may change eligibility. Contact factory for details.)*

## Applications:

- Suitable for most commercial and institutional applications
- Office
  - Retail
  - Classrooms
  - Healthcare Facilities

## Predicted Lifetime:

- L70: 131,000 hrs (calculated)
- L80: 83,000 hrs (calculated)
- L90: 40,000 hrs (reported)
- 85% lumen maintenance @ 60,000 hrs *(based on LM80 and insitu laboratory testing)*
- Driver: 85,000 hrs at 120V input, 100% load and 60°C/140°F case temperature

## Construction:

- Die-formed heavy-gauge cold rolled steel ballast housing with precision brake formed aluminum LED tray
- Frosted Acrylic Diffuser
- White enamel finish

## Certifications:

- UL 1598 listed for US and Canada, suitable for damp locations



## Warranty:

- 5 year limited system warranty - see [www.LumenFocus.com](http://www.LumenFocus.com) for complete warranty terms and conditions



Ordering Guide:

example: FFL 2R G2 22 SEL45 UV FA 935 EM10

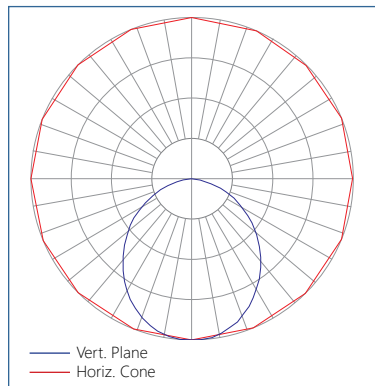
Series	Version	Size	Output	Voltage	Shielding	CRI/CCT	Mounting	Options
FFL 2R	G2	22		UV	FA			
<b>FFL 2R</b> FFL Two-Row	<b>G2</b> Gen 2	<b>22</b> 2' x 2'	<b>SEL15</b> 15W Selectable Output <b>SEL25</b> 25W Selectable Output <b>SEL35</b> 35W Selectable Output <b>SEL45</b> 45W Selectable Output <b>SEL75</b> 75W Selectable Output	<b>UV</b> 120-277	<b>FA</b> Frosted Acrylic	<b>930</b> 90 CRI/3000K <b>935</b> 90 CRI/3500K <b>940</b> 90 CRI/4000K <b>950</b> 90 CRI/5000K	<b>Blank</b> None <b>SMK</b> Surface Mount Kit <b>FIK</b> Frame-in Kit	<b>Blank</b> No Options <b>W6</b> 6' Whip <b>W10</b> 10' Whip <b>EM6</b> 6.5W Emergency Pack <sup>(1)</sup> <b>EM10</b> 10W Emergency Pack <sup>(1)</sup> <b>EM14</b> 14W Emergency Pack <sup>(1)</sup> <b>F</b> Fuse <b>GC</b> Grid Clip <b>SDT(347V)</b> 347V to 277V Step Down Transformer <b>AR</b> Plenum Ceiling Air Return <b>LVL</b> 0-10V Dimming Leads for Easy Field Access <b>BAA</b> Buy American Act Compliant

Notes

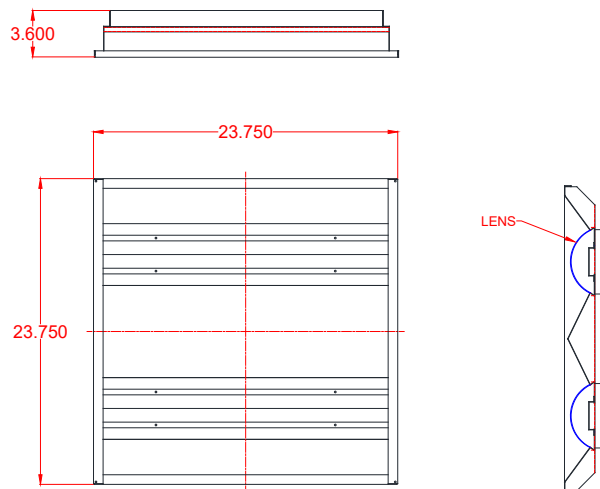
<sup>(1)</sup> 120-277V / 0°C-55°C ambient. To estimate lumen output in emergency mode, multiply EM wattage by the Lumens per Watt of the lowest output setting of the luminaire it is installed in.  
ex. FFL 2R G2 22 SEL45 UV FA 940 EM10 → 146.9 LPW x 10W = 1,469 lm

Photometric Data:

Relative Luminous Intensity



Schematic:



Performance Chart:

Catalog #	Watts	Lumens (930)	LPW (930)	Lumens (935)	LPW (935)	Lumens (940)	LPW (940)	Lumens (950)	LPW (950)
FFL 2R G2 22 SEL15 UV FA 9xx	10.1	1422.8	140.8	1428.8	141.4	1462.8	144.8	1462.8	144.8
	11.7	1639.2	140.7	1646.1	141.3	1685.2	144.6	1685.2	144.6
	13.7	1928.2	140.4	1936.4	141.0	1982.4	144.4	1982.4	144.4
	15.3	2145.3	140.2	2154.3	140.8	2205.5	144.2	2205.5	144.2
FFL 2R G2 22 SEL25 UV FA 9xx	14.8	2145.3	145.2	2154.3	145.8	2205.5	149.3	2205.5	149.3
	17.3	2506.9	144.8	2517.5	145.4	2577.3	148.9	2577.3	148.9
	19.9	2868.0	144.3	2880.1	144.9	2948.5	148.4	2948.5	148.4
	22.5	3227.7	143.7	3241.3	144.4	3318.3	147.8	3318.3	147.8
FFL 2R G2 22 SEL35 UV FA 9xx	24.2	3585.4	148.0	3600.6	148.7	3686.1	152.2	3686.1	152.2
	26.8	3940.5	147.3	3957.1	147.9	4051.1	151.4	4051.1	151.4
	29.3	4292.2	146.4	4310.3	147.0	4412.6	150.5	4412.6	150.5
	31.9	4639.8	145.5	4659.3	146.1	4770.0	149.6	4770.0	149.6
FFL 2R G2 22 SEL45 UV FA 9xx	34.9	4982.6	142.9	5003.6	143.5	5122.5	146.9	5122.5	146.9
	37.5	5320.0	141.8	5342.5	142.4	5469.4	145.8	5469.4	145.8
	40.2	5651.3	140.6	5675.2	141.2	5809.9	144.6	5809.9	144.6
	42.9	5975.8	139.4	6001.0	140.0	6143.5	143.3	6143.5	143.3
FFL 2R G2 22 SEL75 UV FA 9xx	54.8	7499.7	136.7	7531.3	137.3	7710.2	140.6	7710.2	140.6
	60.2	8116.4	134.8	8150.6	135.4	8344.2	138.6	8344.2	138.6
	65.6	8709.4	132.7	8746.1	133.3	8953.8	136.5	8953.8	136.5
	71.1	9275.6	130.5	9314.7	131.0	9535.9	134.1	9535.9	134.1

LUMENFOCUS  
Re-boardABILITY

The FFL features field replaceable boards and drivers. This allows you to upgrade to more efficient technology in the future. Or, in the rare event of a failure, you can rapidly replace defective components. Re-boardABILITY helps to ensure you won't get stuck with an obsolete light fixture. [Learn more about Re-boardABILITY here.](#)



[Click here for a video demonstration of the re-boarding process on a FFL.](#)

Note: Exact time varies depending on the model.

