

Project: _____
 Location: _____
 Cat. #: _____
 Type: _____
 Quantity: _____

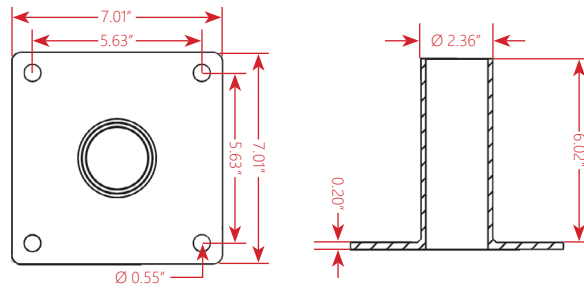
Mounting Brackets | Pole & Wall Mounts

Wall Mount Tenons

WMT-S | Wall Mount Tenon, Single 2-3/8", Bronze



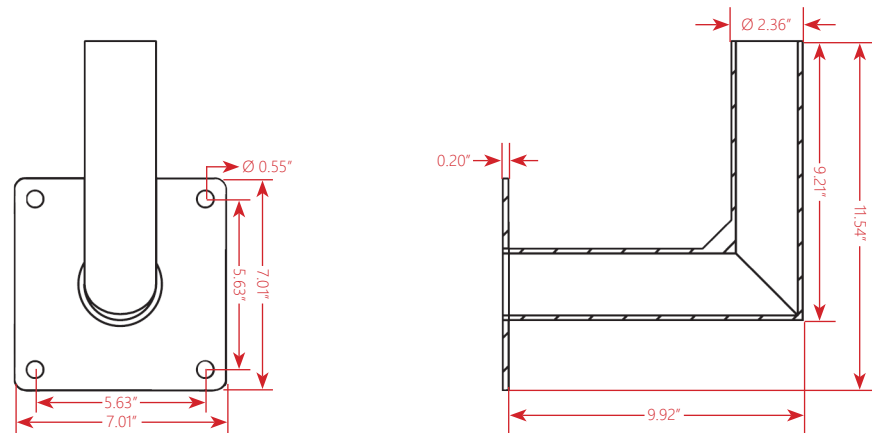
Wt: 2.3 lbs.
 Max Load per Tenon: 110 lbs.



WMT-S90 | Wall Mount Tenon, Single 2-3/8", 90°, Bronze

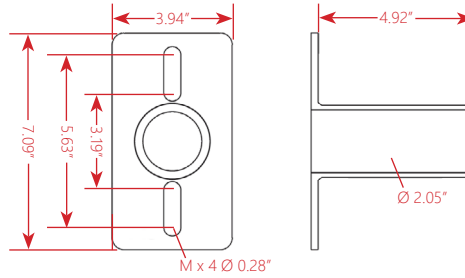


Wt: 4.0 lbs.
 Max Load per Tenon: 110 lbs.



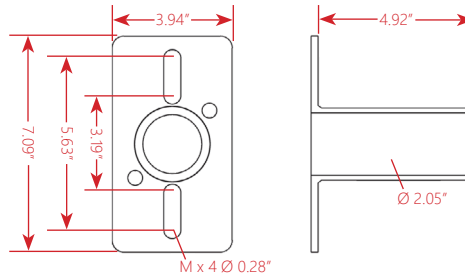
Pole Mount Side Tenons

PMST-SQ-S | Pole Mount Side Tenon, Single 2-3/8", Bronze, For Square Poles



Wt: 2.85 lbs.
Max Load per Tenon: 110 lbs.

PMST-R-S | Pole Mount Side Tenon, Single 2-3/8", Bronze, For Round Poles

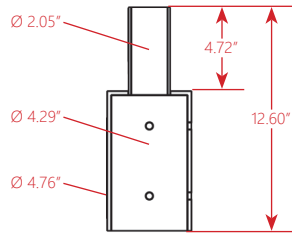


Wt: 3.3 lbs.
Max Load per Tenon: 110 lbs.



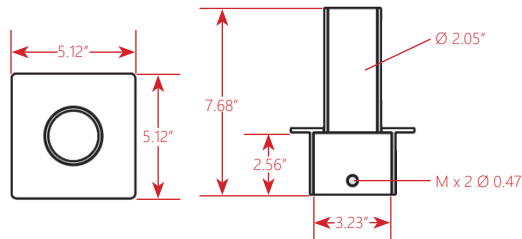
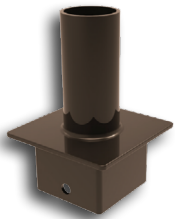
Pole Top Tenon Adapters

PMTT-4R-SV | Pole Mount Top Tenon, Single 2-3/8", Bronze, For 4" Round Poles



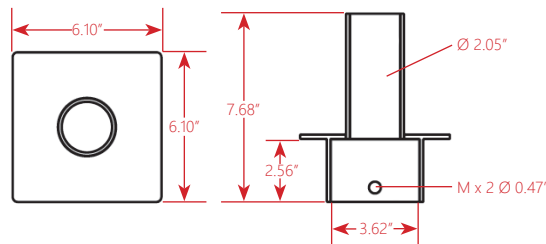
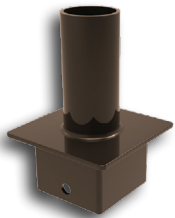
Wt: 9.1 lbs.
Max Load per Tenon: 110 lbs.

PMTT-4SQ-SV | Pole Mount Top Tenon, Single 2-3/8", Bronze, For 4" Square Poles



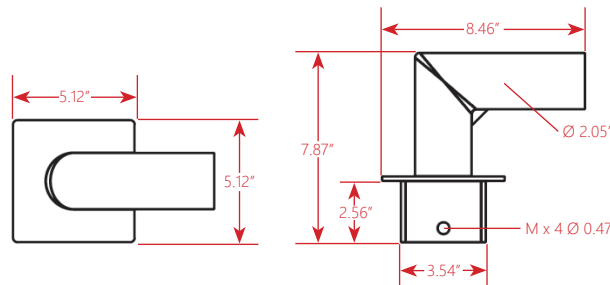
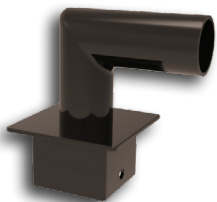
Wt: 4.2 lbs.
Max Load per Tenon: 110 lbs.

PMTT-5SQ-SV | Pole Mount Top Tenon, Single 2-3/8", Bronze, For 5" Square Poles



Wt: 4.6 lbs.
Max Load per Tenon: 110 lbs.

PMTT-4SQ-S90 | Pole Mount Top Tenon, Single 2-3/8", 90°, Bronze, For 4" Square Poles

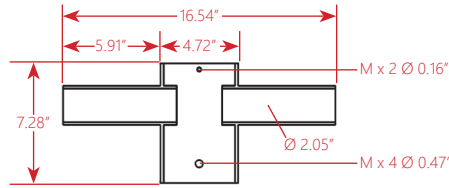
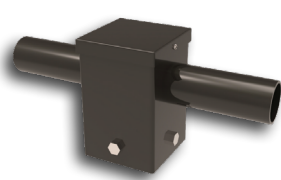


Wt: 4.6 lbs.
Max Load per Tenon: 110 lbs.



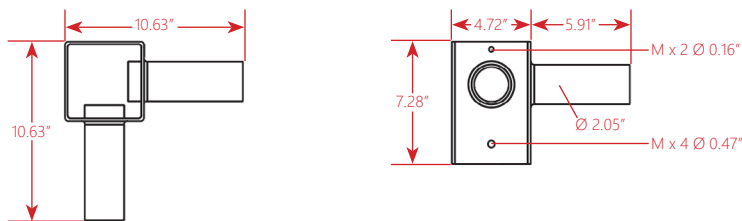
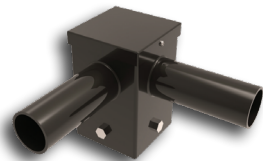
Pole Top Spoke Brackets

PMTT-4SQ-D180 | Pole Mount Top Tenon, Dual 2-3/8" @ 180°, Bronze, For 4" Square Poles



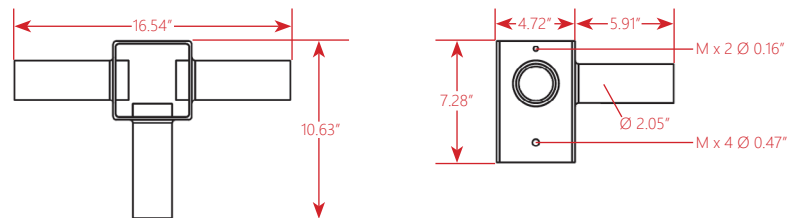
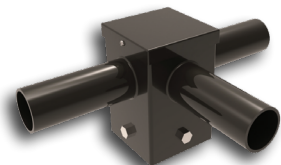
Wt: 11.2 lbs.
Max Load per Tenon: 110 lbs.

PMTT-4SQ-D90 | Pole Mount Top Tenon, Dual 2-3/8" @ 90°, Bronze, For 4" Square Poles



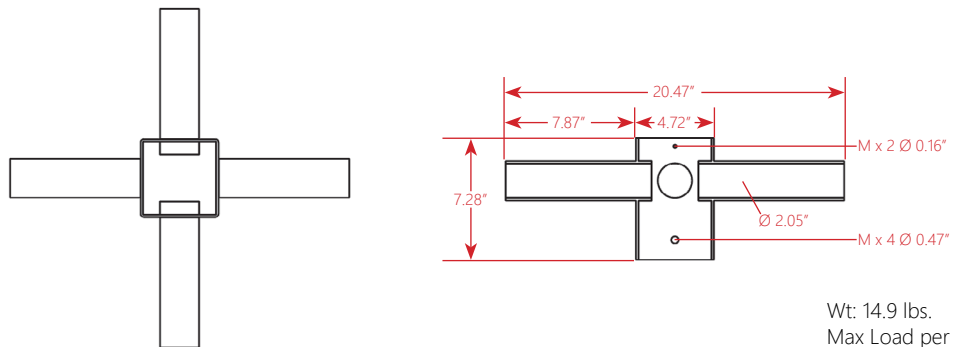
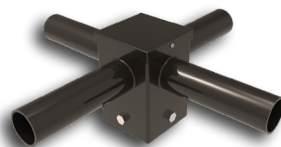
Wt: 11.2 lbs.
Max Load per Tenon: 110 lbs.

PMTT-4SQ-T90 | Pole Mount Top Tenon, Triple 2-3/8" @ 90°, Bronze, For 4" Square Poles



Wt: 11.6 lbs.
Max Load per Tenon: 110 lbs.

PMTT-4SQ-Q90 | Pole Mount Top Tenon, Quad 2-3/8" @ 90°, Bronze, For 4" Square Poles



Wt: 14.9 lbs.
Max Load per Tenon: 110 lbs.

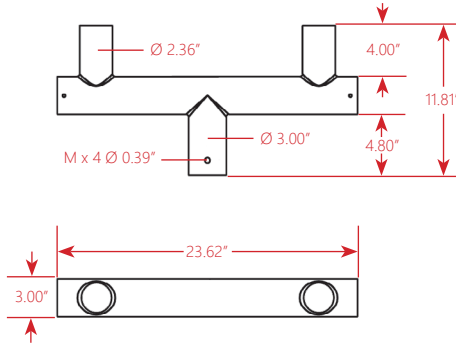


Pole Top Bullhorn Brackets

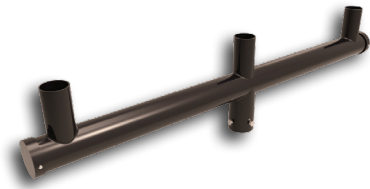
BH-SF-D180 | Bullhorn, Dual 2-3/8" @ 180°, Bronze, Slips Over 2-3/8" Tenon



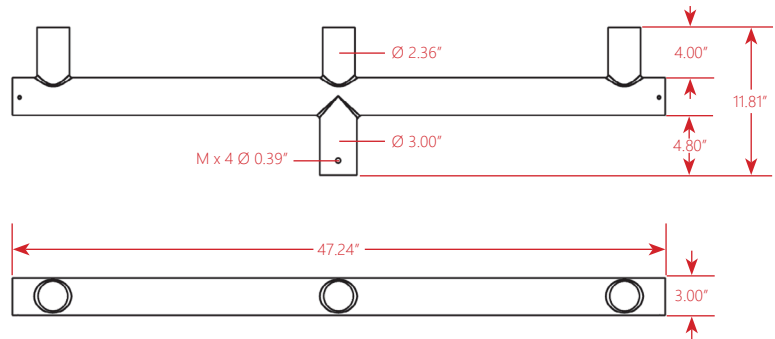
Wt: 9.7 lbs.
Max Load per Tenon: 110 lbs.



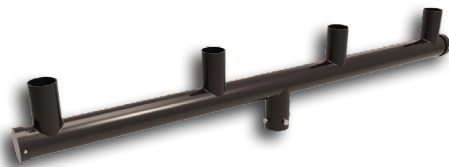
BH-SF-T180 | Bullhorn, Triple 2-3/8" @ 180°, Bronze, Slips Over 2-3/8" Tenon



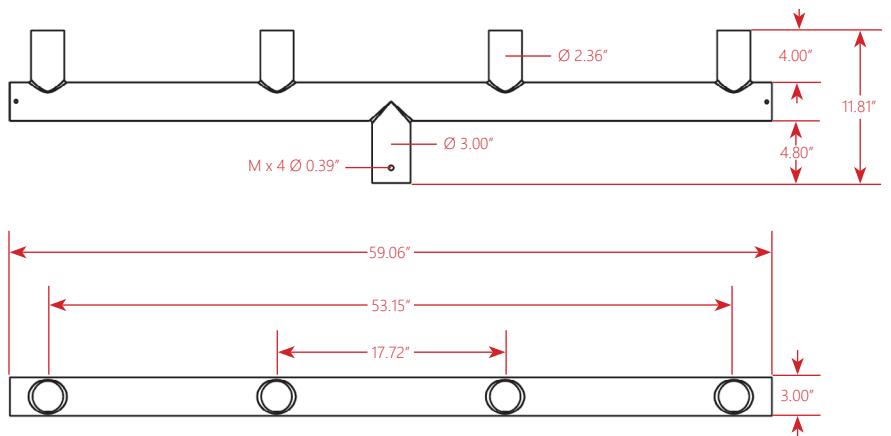
Wt: 16.8 lbs.
Max Load per Tenon: 110 lbs.



BH-SF-Q180 | Bullhorn, Quad 2-3/8" @ 180°, Bronze, Slips Over 2-3/8" Tenon

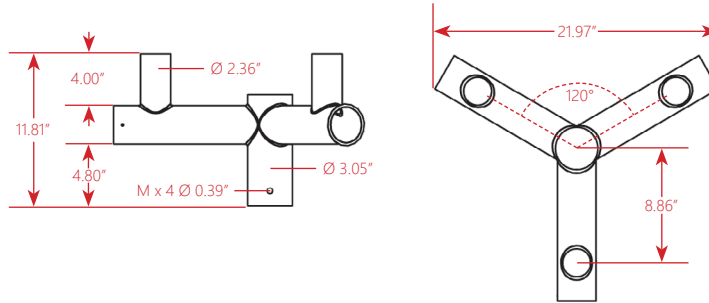


Wt: 21.2 lbs.
Max Load per Tenon: 110 lbs.



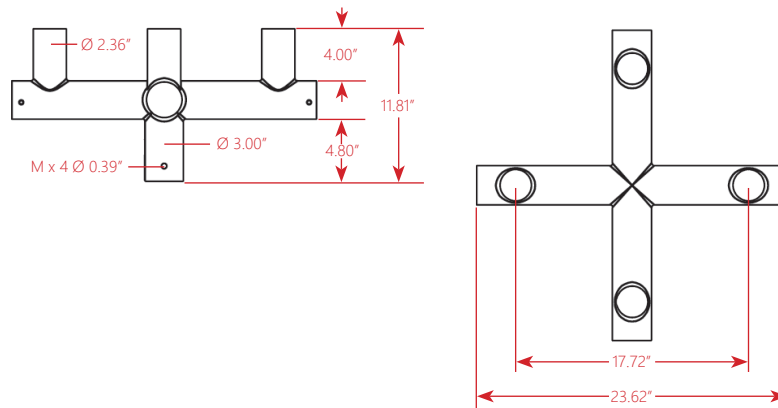
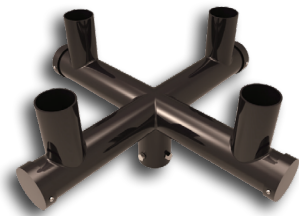
Pole Top Bullhorn Brackets

BH-SF-T120 | Bullhorn, Triple 2-3/8" @ 120°, Bronze, Slips Over 2-3/8" Tenon



Wt: 13.5 lbs.
Max Load per Tenon: 110 lbs.

BH-SF-Q90 | Bullhorn, Quad 2-3/8" @ 90°, Bronze, Slips Over 2-3/8" Tenon



Wt: 17.4 lbs.
Max Load per Tenon: 110 lbs.

