

Note: This product has been discontinued.



Project: _____
 Location: _____
 Cat. #: _____
 Type: _____
 Quantity: _____

LED

CGB | LED Canopy Light

Features:

- High performance LED technology
- 0-10V dimming drivers down to 10% standard
- Field selectable CCT - 3000K, 4000K, 5000K
- 2kV surge protection standard. 10kV surge protection optional
- Can be surface or pendant mounted using 3/4" electrical conduit for added flexibility
- Multi-level control based on motion and/or daylight detection allows for maximum energy savings with optional microwave sensor.

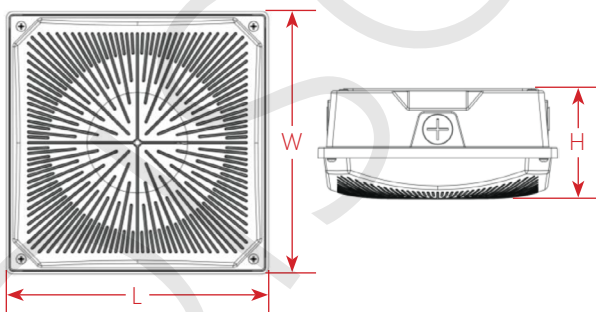
Applications:

- Suitable for most canopy applications
- Gas stations
 - Pathways
 - Loading Docks
 - Storage areas

Ambient Operating Temp.:

- -20°C to 45°C

Schematics:



	CGB MD	CGB VH
Length	8"	10"
Width	8"	10"
Height	3.7"	4.2"
Weight	4 lbs.	6 lbs.

Construction:

- Die cast aluminum housing
- Polycarbonate lens
- Dark bronze powdercoat finish

Certifications:

- cULus listed for wet locations
- IP65



Warranty:

- 5 year limited system warranty
- see www.LumenFocus.com for complete warranty terms and conditions

Predicted Lifetime:

- L70 = 169,000 hrs
 - L90 = 51,000 hrs
- (based on LM-80, TM-21 and in-situ laboratory testing)



Ordering Guide:

example: CGB MD 5S UV FP 7SEL SP BZ

Series	Output	Optic	Voltage	Shielding	CRI/CCT	Options	Finish
CGB		5S	UV	FP	7SEL		BZ
CGB	MD Medium (8" x 8" Housing) VH Very High (10" x 10" Housing)	5S Type V Short	UV 120-277V	FP Frosted Polycarbonate Lens	7SEL 70 CRI / Field Selectable CCT: 3000K 4000K 5000K	Blank No Options SP 10kV Surge Protection ZMSD ⁽¹⁾ Microwave Daylight/Motion Sensor with Dimming	BZ Bronze

Notes

⁽¹⁾ Sensor Default Settings -
Detection Area: 100% / Hold Time: 5s / Daylight Threshold: Disabled / Standby Period: 0s / Standby Dimming Level: 10%

Controls Accessories *(order separately)*

HD03R Sensor Programming Remote Control

Performance Chart:

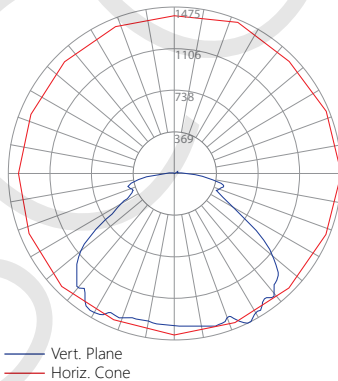
Catalog #	Lumens	Wattage	LPW
CGB MD 5S UV FP 7SEL (3000K)	5011	40	126
CGB MD 5S UV FP 7SEL (4000K)	5448	38	142
CGB MD 5S UV FP 7SEL (5000K)	5421	40	137

Catalog #	Lumens	Wattage	LPW
CGB VH 5S UV FP 7SEL (3000K)	9335	75	125
CGB VH 5S UV FP 7SEL (4000K)	10146	71	142
CGB VH 5S UV FP 7SEL (5000K)	10004	74	134

Photometric Data:

CGB MD 5S UV FP 7SEL (3000K)

Test No.: BLC2101014E1-C-CP
 Luminaire Lumens: 4,981 lm
 Luminaire Watts: 39.3W
 Efficacy: 126.7 LPW
 Spacing Criterion (0-180): 1.60
 Spacing Criterion (90-270): 1.48



CGB VH 5S UV FP 7SEL (3000K)

Test No.: BLC2106032E-B-CP
 Luminaire Lumens: 9,076 lm
 Luminaire Watts: 74.7W
 Efficacy: 121.6 LPW
 Spacing Criterion (0-180): 1.48
 Spacing Criterion (90-270): 1.44

