

**Note:** This product has been discontinued and replaced with the DLS V2.



Project: \_\_\_\_\_  
 Location: \_\_\_\_\_  
 Cat. #: \_\_\_\_\_  
 Type: \_\_\_\_\_  
 Quantity: \_\_\_\_\_

**LED**

## DLS 8 | LED 8" Select Down Light

### Features:

- High performance LED technology
- 0-10V dimming down to 10%
- Works for retrofit and new construction applications
- Compatible with insulated and non-insulated ceilings
- 90 CRI
- Field selectable color temperature: 3000K /4000K /5000K
- Field selectable output: 12W/20W/30W

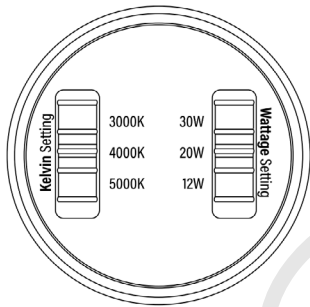
### Construction:

- Durable thermoplastic and aluminum construction
- 19" of 3/8" flex cable for easy install into junction box



### Mounting:

- Fits 7.6" to 9.4" diameter openings
- Spring action clips secure fixture to ceiling or existing frame
- 21.8" safety cable with clip included



### Certifications:

- ETL Listed for wet locations
- IP43
- RoHS compliant



### Applications:

Suitable for most commercial, industrial and institutional retrofit & new construction applications

- Retail
- Hospitality
- Office

### Predicted L70 Lifetime:

- 50,000 hrs

### Ambient Operating Temp:

- -20°C to 40°C

### Warranty:

- 5 year limited system warranty - see [www.LumenFocus.com](http://www.LumenFocus.com) for complete warranty terms and conditions



Ordering Guide:

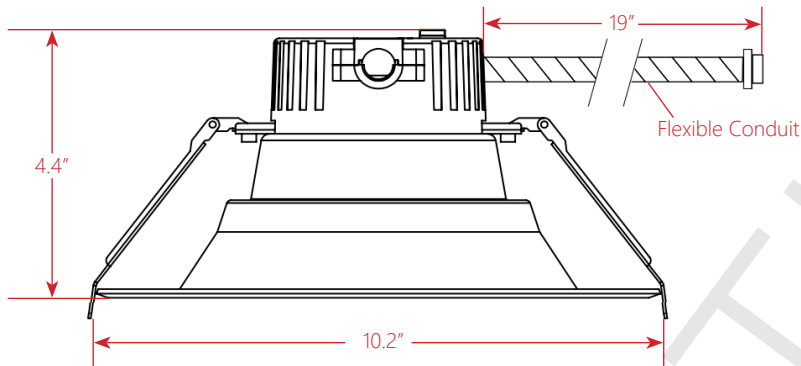
example: DLS 8 SEL UV SW 9SEL

Series	Size	Output	Voltage	Reflector Trim	CRI/CCT
DLS	8	SEL	UV	SW	9SEL
<b>DLS</b>	<b>8</b> 8"	<b>SEL</b> Field Selectable: Low (12W) Medium (20W) High (30W)	<b>UV</b> 120-277	<b>SW</b> Smooth White	<b>9SEL</b> 90 CRI / Field Selectable CCT: 3000K 4000K 5000K

Performance Chart:

Selectable Output	Lumens	Watts	CRI
Low	1000	12	90
Medium	1700	20	90
High	2500	30	90

Schematic:



Photometric Data:

**DLS 8 SEL UV SW 9SEL**

Test No.: LCZP19120207  
 Luminaire Lumens: 2,530 lm  
 Luminaire Watts: 28.3 W  
 Efficacy: 89.4 LPW  
 Beam Angle: 93°

