

Project: _____
 Location: _____
 Cat. #: _____
 Type: _____
 Quantity: _____

LED

AED | LED Area Light

Features:

- High performance LED technology
- 0-10V dimming drivers standard
- 3 Pin photocell receptacle standard
- 6kV surge protection on LW model, 10kV surge protection on MD model

Applications:

- Suitable for exterior site lighting applications
- Parking Lots
 - Loading Docks
 - Roadways
 - Sight Lighting

Ambient Operating Temp.:

- -30°C to 40°C

Predicted Lifetime:

- L70 > 70,000 hrs
- L90 = 60,000 hrs

Warranty:

- 5 year limited system warranty
- see www.LumenFocus.com for complete warranty terms and conditions

Construction:

- Precision die cast aluminum housing
- UV-stabilized polycarbonate lens
- Chip & fade resistant textured polyester powdercoat finish in dark bronze

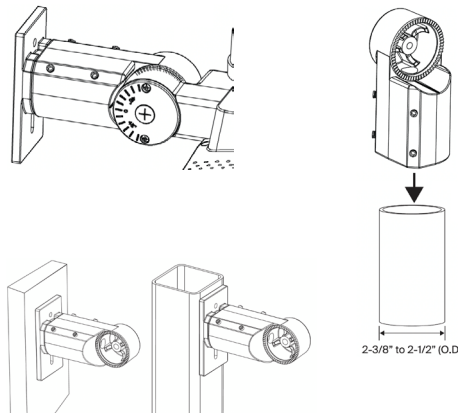
Certifications:

- UL listed for wet locations
- IP65



Mounting:

The AED comes standard with adjustable slipfitter and tenon arm for square pole or wall mounting. The slip-fitter fits 2-3/8" to 2-1/2" round tenons if included tenon arm is not needed.



Ordering Guide:

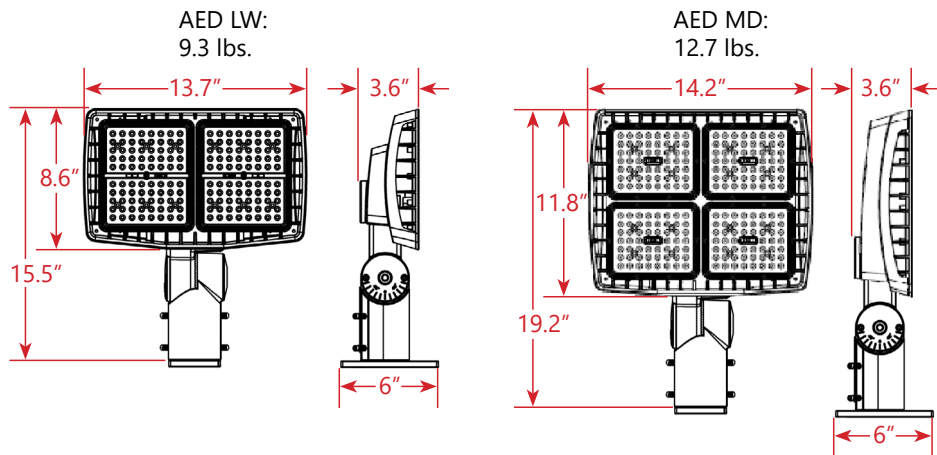
example: AED MD 4 UV 740 SFA PC BZ

Series	Output	Optic	Voltage	CRI/CCT	Mounting	Controls	Finish
AED		4	UV	740	SFA	PC	BZ
AED	LW Low MD Medium	4 Type IV	UV 120-277V	740 70 CRI/4000K	SFA Adjustable Slipfitter w/ Tenon Arm	PC 3-Pin Twist Lock Photocell (120-277V)	BZ Bronze

Performance Chart:

Catalog #	Lumens	Watts	LPW	BUG Rating
AED LW 4 UV 740	13499	100	135	B3-U0-G3
AED MD 4 UV 740	20249	150	135	B3-U0-G3

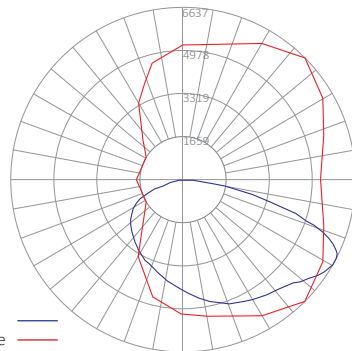
Schematics:



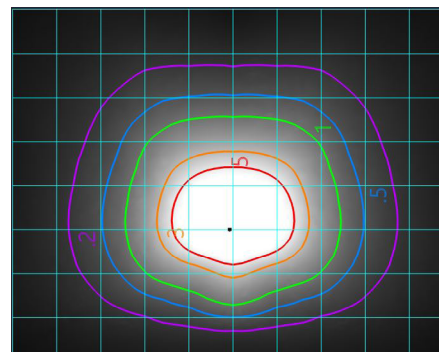
Photometric Data:

AED MD 4 UV 740

Luminaire Lumens: 20,249 lm
 Luminaire Watts: 150W
 Efficacy: 135 LPW
 BUG Rating: B3-U0-G3



Vert. Plane — blue
 Horiz. Cone — red



Tested in accordance with IES standards utilizing absolute photometry per LM-79-08

Mounting Height = 15'
 Grid: 15' x 15' squares

Isolines at:
 5fc/3fc/1fc/0.5fc/0.2fc

