



Project: _____
 Location: _____
 Cat. #: _____
 Type: _____
 Quantity: _____

LED

DLS v2 8 | LED 8" Select Down Light

Features:

- High performance LED technology
- 0-10V dimming down to 10%
- Works for retrofit and new construction applications
- Compatible with insulated and non-insulated ceilings
- 90+ CRI
- Field selectable color temperature: 2700K /3000K /3500K /4000K /5000K
- Field selectable output: 12W/20W/30W

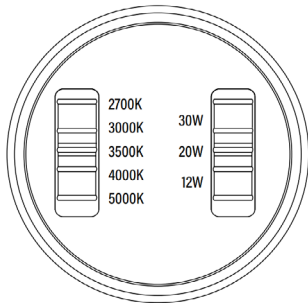
Construction:

- Durable thermoplastic and aluminum construction
- 19" of 3/8" flex cable for easy install into junction box



Mounting:

- Fits 7.6" to 9.4" diameter openings
- Spring action clips secure fixture to ceiling or existing frame
- 21.8" safety cable with clip included



Certifications:

- UL Listed for wet locations
- IP43
- RoHS compliant



Applications:

Suitable for most commercial, industrial and institutional retrofit & new construction applications

- Retail
- Hospitality
- Office

Predicted L70 Lifetime:

- 50,000 hrs

Ambient Operating Temp:

- -20°C to 40°C

Warranty:

- 5 year limited system warranty - see www.LumenFocus.com for complete warranty terms and conditions



Ordering Guide:

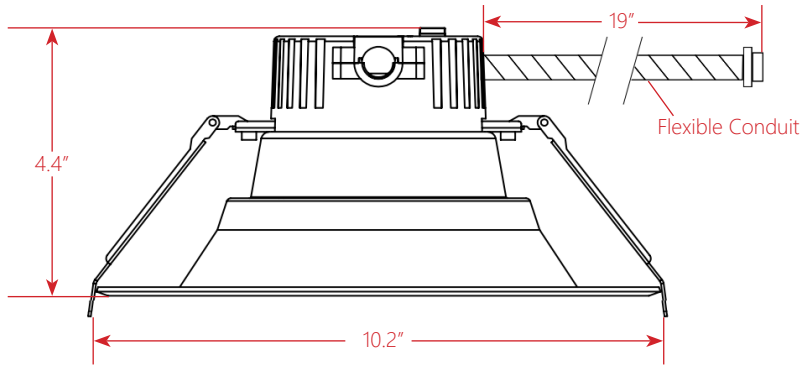
example: DLS v2 8 SEL UV SW 9SEL

| Series | Size | Output | Voltage | Reflector Trim | CRI/CCT |
|--|----------------|--|----------------------|---------------------------|--|
| DLS v2 | 8 | SEL | UV | SW | 9SEL |
| DLS v2 Select Down Light Version 2 | 8 8" | SEL Field Selectable: Low (12W) Medium (20W) High (30W) | UV 120-277 | SW Smooth White | 9SEL 90 CRI / Field Selectable CCT: 2700K 3000K 3500K 4000K 5000K |

Performance Chart:

| Selectable Output | Lumens | Watts | CRI |
|-------------------|-------------|-------|-----|
| Low | 1085 - 1190 | 12 | 93 |
| Medium | 1707 - 1819 | 20 | 93 |
| High | 2441 - 2538 | 30 | 93 |

Schematic:



Photometric Data:

DLS v2 8 SEL UV SW 9SEL

Test No.: 20211007
 Luminaire Lumens: 2,538 lm
 Luminaire Watts: 29.2 W
 Efficacy: 87.0 LPW
 Beam Angle: 95°
 CCT: 5000K

