



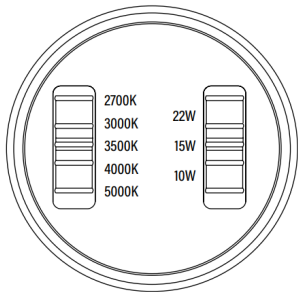
Project: _____
 Location: _____
 Cat. #: _____
 Type: _____
 Quantity: _____

LED

DLS v2 6 | LED 6" Select Down Light

Features:

- High performance LED technology
- 0-10V dimming down to 10%
- Works for retrofit and new construction applications
- Compatible with insulated and non-insulated ceilings
- 90+ CRI
- Field selectable color temperature: 2700K /3000K /3500K /4000K /5000K
- Field selectable output: 10W/15W/22W



Construction:

- Durable thermoplastic and aluminum construction
- 19" of 3/8" flex cable for easy install into junction box

Mounting:

- Fits 6" to 7.4" diameter openings
- Spring action clips secure fixture to ceiling or existing frame
- 21.8" safety cable with clip included



Certifications:

- UL Listed for wet locations
- IP43
- RoHS compliant



Applications:

Suitable for most commercial, industrial and institutional retrofit & new construction applications

- Retail
- Hospitality
- Office

Predicted L70 Lifetime:

- 50,000 hrs

Ambient Operating Temp:

- -20°C to 40°C

Warranty:

- 5 year limited system warranty - see www.LumenFocus.com for complete warranty terms and conditions



Ordering Guide:

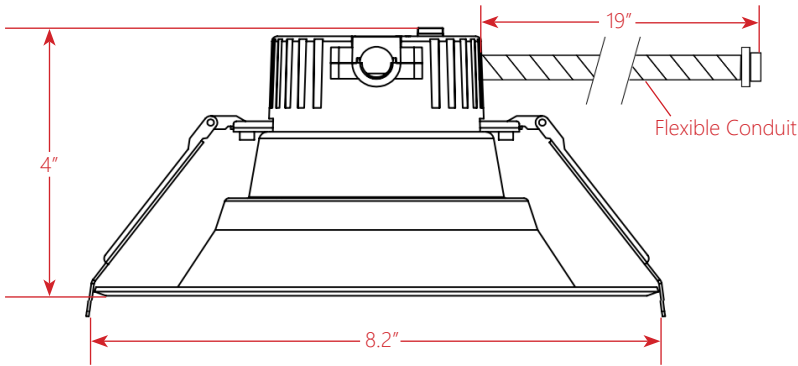
example: DLS v2 6 SEL UV SW 9SEL

Series	Size	Output	Voltage	Reflector Trim	CRI/CCT
DLS v2	6	SEL	UV	SW	9SEL
DLS v2 Select Down Light Version 2	6 6"	SEL Field Selectable: Low (10W) Medium (15W) High (22W)	UV 120-277	SW Smooth White	9SEL 90 CRI / Field Selectable CCT: 2700K 3000K 3500K 4000K 5000K

Performance Chart:

Selectable Output	Lumens	Watts	CRI
Low	822-924	10	93
Medium	1220-1384	15	93
High	1769-1822	22	93

Schematic:



Photometric Data:

DLS v2 6 SEL UV SW 9SEL

Test No.: JG202002002Z
 Luminaire Lumens: 1,384 lm
 Luminaire Watts: 15.5 W
 Efficacy: 89.5 LPW
 Beam Angle: 93°
 CCT: 5000K

