

Note: This product has been discontinued and replaced with the DLR G



Project: _____
Location: _____
Cat. #: _____
Type: _____
Quantity: _____

LED

DLG 56 | 5"/6" LED Gimbal Down Light

Features:

- High performance LED technology
- Dimmable to 10% with most dimmers
- Standard gimbal compatible with most 5" & 6" housings
- Compatible with insulated, non-insulated, and air-tight ceilings

Applications:

Suitable for most commercial, industrial and institutional applications

- Retail
- Hospitality
- Office
- Residential

Predicted L70 Lifetime:

- 50,000 hrs (reported)
(based on LM-80, TM-21 and in-situ laboratory testing)

Construction:

- Durable thermoplastic construction
- E26 medium screw-base Edison connector allows for easy retrofit of incandescent housings
- Adjustable torsion spring designed to fit 5" or 6" housing allows for toolless

Certifications:

- ETL US and Canada Listed for damp locations
- Passes FCC Class B



Ambient Operating Temp:

- -20°C to 40°C

Warranty:

- 5 year limited system warranty - see www.LumenFocus.com for complete warranty terms and conditions



Ordering Guide:

example: DLG 56 MD 12 WB 827-61CNC

Series	Size	Output	Voltage	Reflector Trim	CRI/CCT	Frame
DLG	56	MD	12	WB		
DLG	56 5" and 6"	MD Medium	12 120V	WB White Baffle (Round)	827 80 CRI / 2700K 830 80 CRI / 3000K 840 80 CRI / 4000K	Blank No Frame 61CNC 6" IC New Construction Frame-in Kit 61CRM 6" IC Remodeler Frame-in Kit

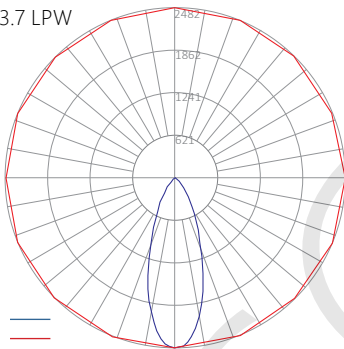
Performance Chart:

Catalog #	Lumens	Watts	LPW	Title 24, 2016	Energy Star
DLG 56 MD 12 WB 827	975	14	70	No	Yes
DLG 56 MD 12 WB 830	975	14	70	No	Yes
DLG 56 MD 12 WB 840	1050	14	75	No	Yes

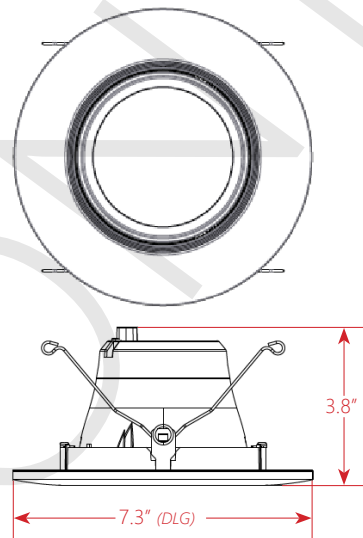
Photometric Data:

DLG 56 MD 12 WB 827

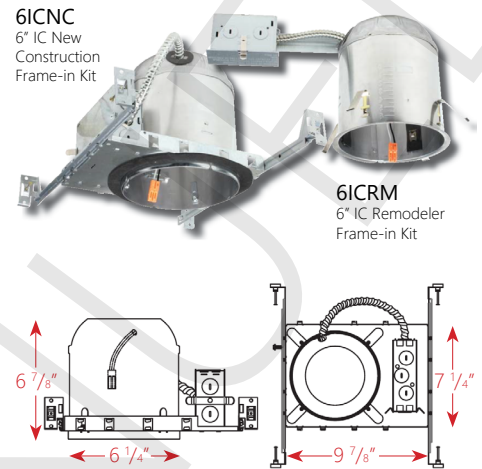
Test No.: 20161201
 Luminaire Lumens: 1,239 lm
 Luminaire Watts: 14.8W
 Efficacy: 83.7 LPW



Schematic:



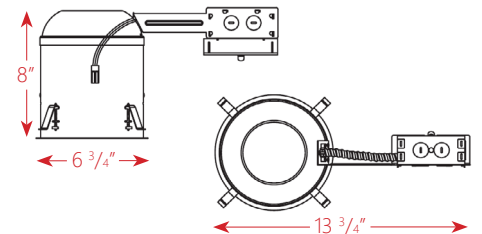
Frame-In Kits:



New Construction Applications: 61CNC

Designed for new construction applications and in ceilings with direct contact with insulation. Air tight construction provides reduced energy costs.

- CULUS Listed for damp locations
- Galvanized steel construction with removable housing for easy access to the junction box
- Listed for through branch circuit wiring
- Pre-installed Real nail easily installs in regular and engineered lumber
- Adjustable bar hangers from 13 5/8" - 25" and can be repositioned 90° on plaster frame
- Contains one 1 1/8", six 7/8" knockouts and four Romex pryouts with strain relief



Remodel Applications: 61CRM

Designed for remodel applications and in ceilings with direct contact with insulation. Air tight construction provides reduced energy costs.

- CULUS Listed for damp locations
- Galvanized steel construction with removable housing for easy access to the junction box
- Listed for through branch circuit wiring
- Four remodel clips secure housing and accommodates 1/2" and 5/8" ceiling materials
- Housing adjusts from 5/8" to 1 1/8" to accommodate various ceiling thicknesses
- Contains one 1 1/8", six 7/8" knockouts and four Romex pryouts with strain relief

