

Note: This product has been discontinued and replaced with the DLR G



Project: _____
Location: _____
Cat. #: _____
Type: _____
Quantity: _____

LED

DLG 4 | 4" LED Gimbal Down Light

Features:

- High performance LED technology
- Dimmable to 10% with most dimmers
- Compatible with most 4" housings.
- Compatible with insulated, non-insulated, and air-tight ceilings
- From 2700K to 4000K color temp.

Applications:

Suitable for most commercial, industrial and institutional applications

- Retail
- Hospitality
- Office
- Residential

Predicted L70 Lifetime:

- 50,000 hrs (reported)
(based on LM-80, TM-21 and in-situ laboratory testing)

Construction:

- Durable thermoplastic construction
- E26 medium screw-base Edison connector allows for easy retrofit of incandescent housings
- Integral mounting clips for toolless installation in most 4" recessed cans

Certifications:

- ETL US and Canada Listed for damp locations
- Passes FCC Class B



Ambient Operating Temp:

- -20°C to 40°C

Warranty:

- 5 year limited system warranty - see www.LumenFocus.com for complete warranty terms and conditions

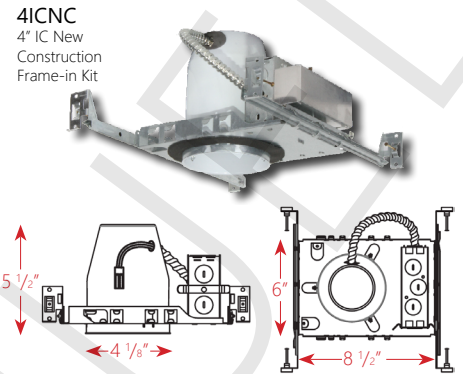


Ordering Guide:

example: DLG 4 MD 12 WB 827-4ICNC

Series	Size	Output	Voltage	Reflector Trim	CRI/CCT	Frame
DLG	4	MD	12	WB		
DLG	4 4"	MD Medium	12 120V	WB White Baffle (Round)	827 80 CRI / 2700K 830 80 CRI / 3000K 840 80 CRI / 4000K	Blank No Frame 4ICNC 4" IC New Construction Frame-In Kit 4ICRM 4" IC Remodeler Frame-In Kit

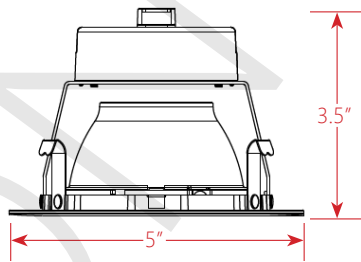
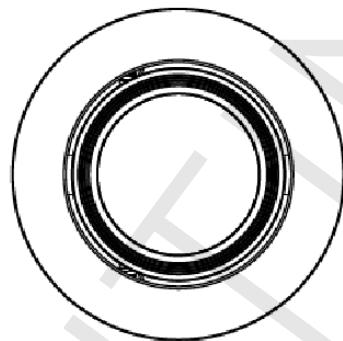
Frame-In Kits:



Performance Chart:

Catalog #	Lumens	Watts	LPW
DLG 4 MD 12 WB 827	675	10	68
DLG 4 MD 12 WB 830	675	10	68
DLG 4 MD 12 WB 840	750	10	75

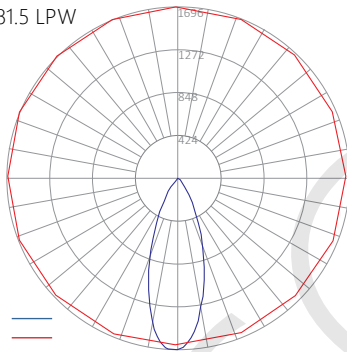
Schematic:



Photometric Data:

DLG 4 MD 12 WB 827

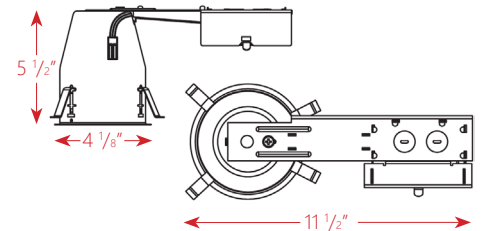
Test No.: 20161205
 Luminaire Lumens: 814 lm
 Luminaire Watts: 10W
 Efficacy: 81.5 LPW



New Construction Applications: 4ICNC

Designed for new construction applications and in ceilings with direct contact with insulation. Air tight construction provides reduced energy costs.

- CULUS Listed for damp locations
- Galvanized steel construction with removeable housing for easy access to the junction box
- Listed for through branch circuit wiring
- Pre-installed Real nail easily installs in regular and engineered lumber
- Adjustable bar hangers from 13 3/8" - 25" and can be repositioned 90° on plaster frame
- Contains one 1 1/8", six 7/8" knockouts and four Romex pnyouts with strain relief



Remodel Applications: 4ICRM

Designed for remodel applications and in ceilings with direct contact with insulation. Air tight construction provides reduced energy costs.

- CULUS Listed for damp locations
- Galvanized steel construction with removeable housing for easy access to the junction box
- Listed for through branch circuit wiring
- Four remodel clips secure housing and accomodate 1/2" and 5/8" ceiling materials
- Housing adjusts from 5/8" to 1 3/8" to accommodate various ceiling thicknesses
- Contains one 1 1/8", six 7/8" knockouts and four Romex pnyouts with strain relief

