

Note: This product has been discontinued and replaced with the EVL G2.



Project: _____
Location: _____
Cat. #: _____
Type: _____
Quantity: _____

LED

EVL 3 | LED Lensed Utility

Features:

- High performance LED technology
- 0-10V dimming drivers standard
- Field replaceable LED boards and drivers
- Optional Motion/Sound sensor available
- Slide-on and mouse hole ends available as ends with tapped holes to accommodate tamper-proof screws

Applications:

- Suitable for wall and ceiling mount applications
- Bathrooms
 - Corridors
 - Stairwells

Ambient Operating Temp:

- -30°C to 40°C

Predicted L70 Lifetime:

- Up to 189,000 hrs (calculated)
 - For BAA compliant configurations - up to 189,000 hrs (calculated)
- (L70 information for specific configurations available upon request)*

Construction:

- Heavy-gauge cold rolled steel housing and end caps
- Clear prismatic acrylic lens
- White powder coat finish

Certifications:

- UL 1598 listed for US and Canada, suitable for damp locations

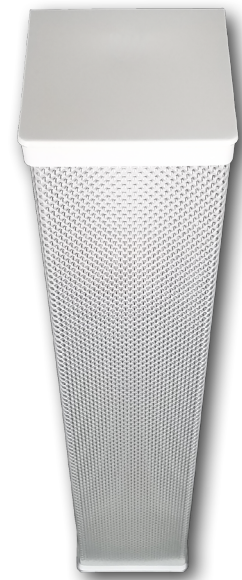


Warranty:

- 5 year limited system warranty - see www.LumenFocus.com for complete warranty terms and conditions
- 10 year warranty option available on specific models
(Not available on all models. Certain conditions apply. Consult factory or sales representative for details.)



10 YEAR
EXTENDED
WARRANTY
AVAILABLE ON
CERTAIN MODELS



Ordering Guide:

example: EVL 3 MD UV CPA 840 ZMSS

Series	Length	Output	Voltage	Shielding	CRI/CCT	Controls	Options		
EVL	3			CPA					
EVL	3 3'	LW Low	UV 120-277	CPA Clear Prismatic Acrylic	835 80 CRI/3500K	Blank No Controls	Blank No Options		
			34 347V		840 80 CRI/4000K			ZMSS Motion/Sound Sensor	EXT10 10-Year Extended Warranty ⁽³⁾
					850 80 CRI/5000K			ZOSMD Microwave Occupancy Sensor (On/Off/Dim)	SO Slide-On End Caps
						ZIFS Douglas IFS Sensor with Dimming/Occupancy/Daylight Harvesting with Newtork Capabilities ⁽¹⁾	MH Mouse Hole End Caps		
						ZIFC Douglas IFC Controller with Newtork Capabilities ⁽¹⁾	TH Tapped Hole End Caps		
						ZENLO Enlighted One Micro Sensor with Dimming/Occupancy/Daylight Harvesting ⁽²⁾	CC Conformal Coating		
						ZENLC Enlighted Connected Micro Sensor with Dimming/Occupancy/Daylight Harvesting ⁽²⁾	LVL 0-10V Dimming Leads for Easy Field Access		
						ZENLI Enlighted IoT Micro Sensor with Dimming/Occupancy/Daylight Harvesting ⁽²⁾	BAA Buy American Act Compliant		

Notes

- ⁽¹⁾ Max ceiling height for Douglas sensors: 16.4 feet. See Page 4 for more details on advanced controls.
- ⁽²⁾ Max ceiling height for Enlighted sensors: 15 feet. See Page 4 for more details on advanced controls.
- ⁽³⁾ Not available on all models. Certain conditions apply. Consult factory or sales representative for details.

Controls Accessories (order separately)



For Douglas Controls

- BT-DMSW-U-A Bluetooth 1 Zone Dimmer
- BT-4BTSW-U-A Bluetooth 4-Button Wall Station
- BT-8BTSW-U-A Bluetooth 8-Button Wall Station



For Enlighted Controls

- WS-2-00 Enlighted Remote Control Wall Switch (for Enlighted Connected & IoT)
- WS-2-00-IL Enlighted Remote Control Wall Switch (for Enlighted One)



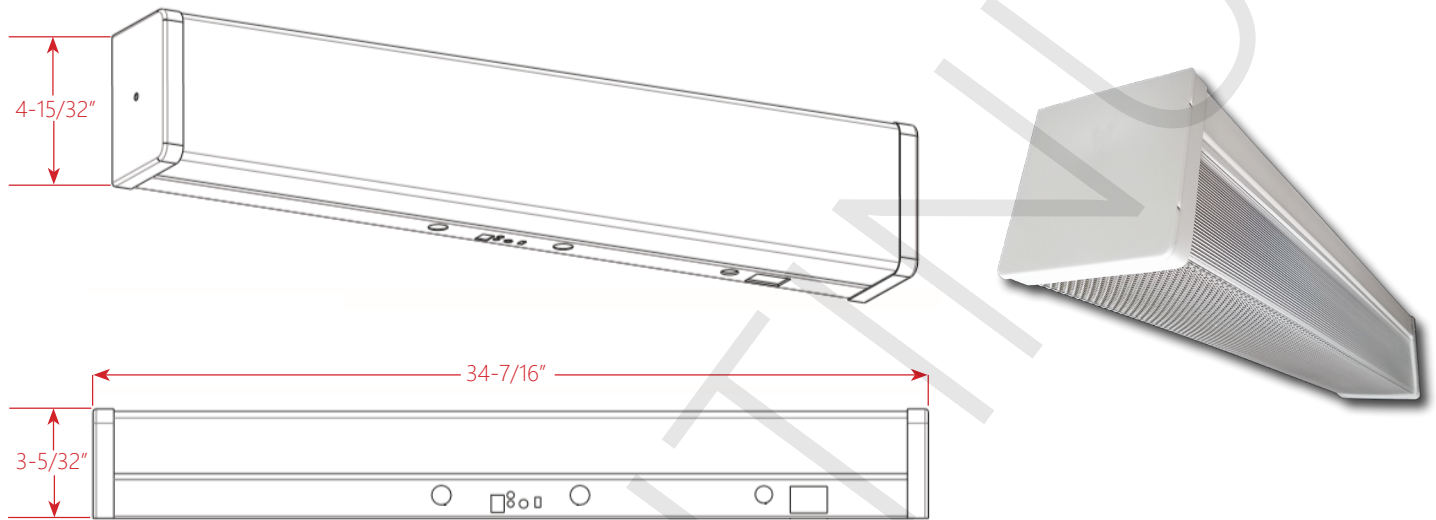
Performance Chart:

Catalog #	Lumens	Watts	LPW
EVL 3 LW UV CPA 835	1565	14	114.5
EVL 3 MD UV CPA 835	2956	26	115.9

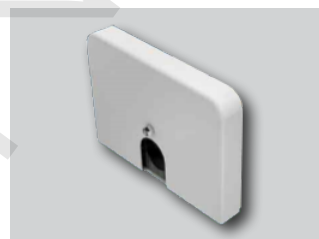
Catalog #	Lumens	Watts	LPW
EVL 3 LW UV CPA 840	1616	14	118.2
EVL 3 MD UV CPA 840	3054	26	119.8

Catalog #	Lumens	Watts	LPW
EVL 3 LW UV CPA 850	1665	14	121.8
EVL 3 MD UV CPA 850	3145	26	123.3

Schematic:



Motion/Sound Sensors



Mouse Hole End Cap



Tapped Hole End Cap



The EVL features field replaceable boards and drivers. This allows you to upgrade to more efficient technology in the future. Or, in the rare event of a failure, you can rapidly replace defective components. Re-boardABILITY helps to ensure you won't get stuck with an obsolete light fixture. [Learn more about Re-boardABILITY here.](#)



Douglas Lighting Controls, Inc.: Cloud-based controls

The EVL can be equipped with the Douglas Bluetooth Intelligent Fixture Sensor (IFS) as well as the Intelligent Fixture Controller. Max mounting height is 16.4 feet.



IFS

- Occupancy, vacancy, partial-on and partial-off
- Occupancy timeout adjustable from 5 to 90 minutes
- Primary and secondary daylight harvesting



IFC

- Listed for emergency control when used on dedicated emergency power bus
- Same occupancy and daylight controls as the IFS when networked with one or more IFS sensors

Available with both IFS and IFC:

- 0-10V dimming with dim-to-off
- Bluetooth beacon for digital ceiling, IoT and location service strategies
 - 150-foot clear line of sight, 50 feet through standard walls
- May be used with dual-channel, tunable white LED drivers providing auxiliary power and dim-to-off capability
 - Commissioning through Douglas Lighting Controls, Inc. app from Apple app store
 - **Note:** Additional equipment required for IoT capabilities

CheckLight® Energy Management System

Douglas controls can be integrated with the CheckLight® Energy Management system. This system can help you uncover energy conversion opportunities, create conservation strategies, analyze lighting load inefficiencies, and make configuration changes from anywhere with Douglas' user-friendly interface. You can get measurements, reports, and control your system from a web-based application.

CheckLight® has the capability to look at different facilities within a portfolio and use data benchmarks to compare building performances.

- Find energy conservation opportunities
- Create energy saving strategies
- Analyze load inefficiencies
- Optimize energy management

Enlighted: All-in-one sensors, upgradeable systems

Enlighted's SMART Micro Sensor is an all-in-one unit: task tuning, high-end trimming, daylight harvesting, and occupancy/vacancy detection. Max installation height is 15 feet.



Enlighted sensors come standard with the Enlighted One system (the "ZENLO" option). Enlighted Connected ("ZENLC") offers even more options. The Enlighted IoT ("ZENLI") option allows the full implementation of Enlighted's services. Each system can be fully upgraded to the next tier in the future. So if you start with Enlighted One but want to add energy reporting or building management systems integration in the future, you can.

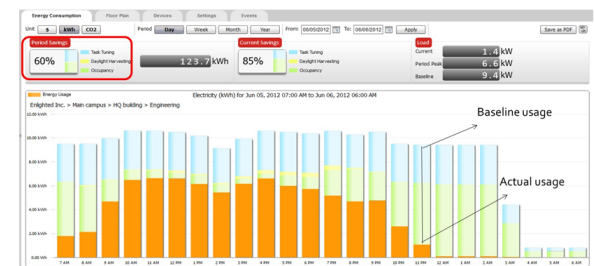
Enlighted Capabilities*	Enlighted One (ZENLO)	Enlighted Connected (ZENLC)	Enlighted IoT (ZENLI)
Motion and Switch Groups	✓	✓	✓
Daylight Harvesting	✓	✓	✓
Schedule Lighting		✓	✓
Energy Reporting & Optimization		✓	✓
Environment Data & Lighting Controls API		✓	✓
Building Management System Integration		✓	✓
Where & Space Applications			✓
Location & Occupancy APIs & Beacons			✓
Future App & API Ready			✓

Note: Additional equipment required ZENLC and ZENLI

Real-time data analytics

Enlighted's control units compile data in real-time, which can be viewed via the Energy Manager. The Energy Manager is part of the Enlighted Connected and Enlighted IoT configurations.

- Real-time measurements and verification of energy savings
- Space analytics - data can be compiled into motion trails and heat maps
- Analyze traffic density and congestion in a space



Learn more about our available advanced controls options here:

www.lumenfocus.com/controls-overview

© 2022 Enlighted for all Enlighted content and images.

© 2022 Douglas Lighting Controls, Inc. for all Douglas content and images. The Bluetooth® word, mark and logos are registered trademarks owned by the Bluetooth SIG, Inc. and any use of such marks by Douglas Lighting Controls is under license. Other trademarks and trade names are those of their respective owners.

