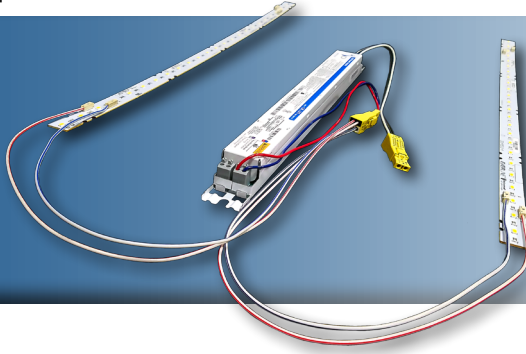


Note: This product has been discontinued and replaced with the RLK G2.



Project: _____
 Location: _____
 Cat. #: _____
 Type: _____
 Quantity: _____

LED

RLK W2 | LED Board/Driver 2' Wrap Retrofit Kit

Features:

- High performance, long life LED technology
- 0-10V dimming drivers standard
- Up to over 135 lumens per watt
- Pre-wired components and driver quick-disconnect allows for quick and easy installation, saving on labor costs
- A wide variety of lumen packages allows for flexibility in design and helps maximize energy savings

Applications:

For use in most existing 2' wrap luminaires. For dry/indoor use only.

Note: Contractor/engineer must ensure proper fit in existing luminaire housing.

Ambient Operating Temp:

- -30°C to 40°C

Predicted L70 Lifetime:

- L70 > 160,000hrs (calculated)
- L90 > 60,000hrs (reported)
- 90.6% lumen maint. @ 60,000 hrs (based on LM-80, TM-21 and in-situ laboratory testing)

Construction:

- Pre-wired boards and 0-10V driver
- Kit comes with (1 or 2) 2' LED boards wired for (1 or 2) 2' rows of LEDs
- Magnetic fasteners come standard and allow for easy application and adjustment of boards onto existing housing

Certifications:

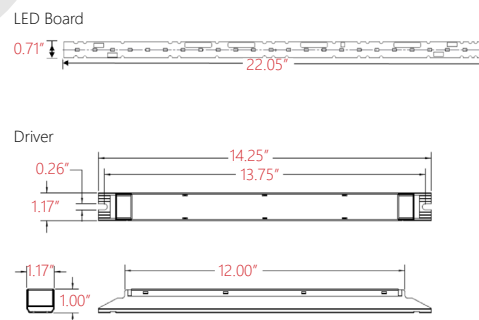
- UL 1598 listed for US and Canada, suitable for damp locations



Warranty:

- 5 year limited system warranty
- See www.LumenFocus.com for complete warranty terms and conditions

Schematic:



Ordering Guide:

example: RLK W2 2 LW UV 835 BAA

Series	Type	# of Rows	Output	Voltage	Shielding	CRI/CCT	Options
RLK	W2			UV			
RLK	W2 2' wrap kit	1 (1) 2' row of LEDs ⁽¹⁾	MD Medium	UV 120-277	Blank No Shielding	830 80 CRI/3000K	Blank No Options
		HI High					
RLK	W2 2' wrap kit	2 (2) 2' rows of LEDs ⁽¹⁾	SL Super Low	UV 120-277	FR Frosted Acrylic Diffusers	835 80 CRI/3500K	LVL 0-10V Dimming Leads for Easy Field Access
			VL Very Low				
			LW Low				
			MD Medium				
			HI High				
VH Very High							
						840 80 CRI/4000K	BAA Buy American Act Compliant
						850 80 CRI/5000K	

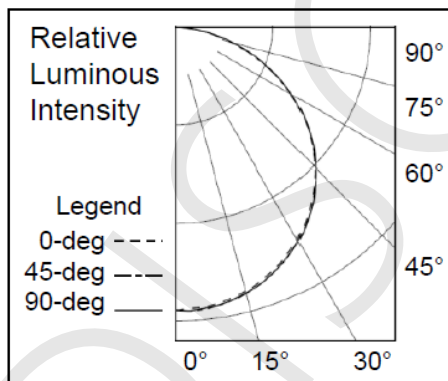
Notes

⁽¹⁾ 1 row kits should be used to retrofit 1 lamp wraps;
2 row kits should be used to retrofit 2, 3, or 4 lamp wraps

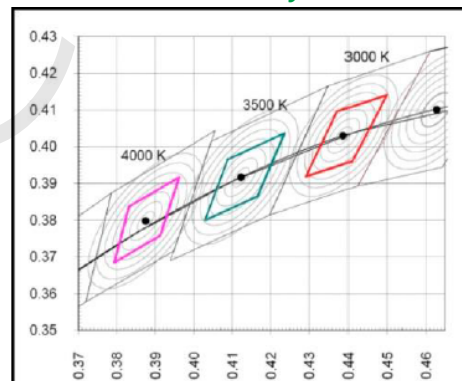
Performance Chart:

Catalog #	Watts	Lumens (3000K)	LPW (3000K)	Lumens (3500K)	LPW (3500K)	Lumens (4000K)	LPW (4000K)	Lumens (5000K)	LPW (5000K)
RLK W2 1 MD UV 8xx	12	1511	125.9	1517	126.4	1561	130.0	1576	131.3
RLK W2 1 HI UV 8xx	15	1795	119.6	1802	120.1	1854	123.6	1873	124.8
RLK W2 2 SL UV 8xx	12	1512	126.0	1518	126.5	1562	130.2	1578	131.5
RLK W2 2 VL UV 8xx	15	1864	124.3	1872	124.8	1926	128.4	1945	129.7
RLK W2 2 LW UV 8xx	20	2441	122.1	2451	122.6	2522	126.1	2547	127.4
RLK W2 2 MD UV 8xx	25	3307	132.3	3320	132.8	3416	136.6	3450	138.0
RLK W2 2 HI UV 8xx	27	3589	132.9	3604	133.5	3708	137.3	3745	138.7
RLK W2 2 VH UV 8xx	32	4212	131.6	4230	132.2	4351	136.0	4395	137.3

Photometric Distribution



Color Consistency



Spectral Power Distribution

