

**Note:** This product has been discontinued and replaced with the NVL F G2.



Project: \_\_\_\_\_  
Location: \_\_\_\_\_  
Cat. #: \_\_\_\_\_  
Type: \_\_\_\_\_  
Quantity: \_\_\_\_\_

## LED

## NVL 4F | LED Vaportight High/Low Bay

### Features:

- High performance LED technology
- 0-10V dimming drivers standard
- Multiple hanging options, including surface, chain, and aircraft cable, for easy installation
- Pre-wired 6' single circuit cord comes standard. Other cord options available
- Durable materials and craftsmanship allows the NVL F to withstand some of the harshest environments

### Applications:

- Most industrial, retail, and recreational low bay and high bay applications
- Warehouse
  - Manufacturing Facility
  - Food Processing
  - Freezer

### Ambient Operating Temp.:

- -30°C to 35°C

### Predicted L70 Lifetime:

- >72,000 hrs (reported)  
(based on LM-80, TM-21 and in-situ laboratory testing)

### Construction:

- UL 5VA fiberglass housing (will not melt or burn)
- Clear polycarbonate lens
- Pre-painted aluminum board trays
- Stainless steel mounting hardware

### Certifications:

- UL 1598 listed for US and Canada, suitable for wet locations
- IP66
- NEMA 4X
- NSF
- PSI 1500
- RoHS



### Warranty:

- 5 year limited system warranty - see [www.LumenFocus.com](http://www.LumenFocus.com) for complete warranty terms and conditions



**CAUTION:** Due to high pressure washdown requirements, fixture minimum mounting height is 14 feet above the floor. Lens system should never be removed by anyone but a factory-approved trained technician using torque wrenches.

# ALTOR



Ordering Guide:

example: NVL 4 F HI UV CFP 840 SM C6

Series	Length	Profile	Output	Voltage	Shielding	CRI/CCT	Hanging	Controls	Cords	Options
NVL	4	F								
NVL	4 4'	F Flat Bottom	LW Low	UV 120-277	CFP Clear Flat Polycarbonate	835 80 CRI/3500K	Blank Surface Mounting Bracket (Comes Standard)  SMBB Mounting Bracket Bail (For Chain Or Cable Mount)  SMBBQC Bracket Bail with 10' Quick Hang Cable Kit  SMBBQC20 Bracket Bail with 20' Quick Hang Cable Kit  SC Safety Cable	Blank No Controls	C6 6' Single Circuit Cord (Comes Standard)  C6(LVL) C6 With Integrated Dimming Leads  C10 10' Single Circuit Cord  C10(LVL) C10 With Integrated Dimming Leads  D6 6' Dual Circuit Cord  D10 10' Dual Circuit Cord	Blank No Options
			MD Medium	34 347V	CFPP Heavier Gauge Clear Flat Polycarbonate	840 80 CRI/4000K		ZOS Occupancy Sensor (On/Off)		P(NEMA) Plug (Specify NEMA configuration)
			HI High			850 80 CRI/5000K		Z221BL_ Wattstopper Programmable Photo/Motion Multi-Voltage Sensor (high/low/off) <sup>(1)</sup>		F Fuse
			VH Very High					Z321BL_ Wattstopper Bluetooth-enabled Programmable Photo/Motion Multi-Voltage Sensor (high/low/off) <sup>(1)</sup>		SDT(480V) 480V To 277V Step Down Transformer
								ZOSMD 0-10V Dimming Microwave Occupancy Sensor		BAA Buy American Act Compliant
								ZPC Photocell		
								ZIFC Douglas IFC Controller With Network Capabilities <sup>(2)</sup>		
								ZFMS Douglas FMS Sensor with Dimming/Occupancy/Daylight Harvesting with Network Capabilities <sup>(3)</sup>		
								ZENLO Enlighted Ruggedized Sensor with Dimming/Occupancy/Daylight Harvesting and Enlighted One System <sup>(4)</sup>		
								ZENLC Enlighted Ruggedized Sensor with Dimming/Occupancy/Daylight Harvesting and Enlighted Connected System <sup>(4)</sup>		
								ZENLI Enlighted Ruggedized Sensor with Dimming/Occupancy/Daylight Harvesting and Enlighted IoT System <sup>(4)</sup>		

Notes

- <sup>(1)</sup> " " = lens type. See Page 3 for lens descriptions.
- <sup>(2)</sup> IFC controller - see Page 3 for more details.
- <sup>(3)</sup> Max ceiling height for Douglas FMS sensor: 40 feet. See Page 4 for more details on advanced controls.
- <sup>(4)</sup> Max ceiling height for Enlighted Ruggedized sensor 50 feet. See Page 4 for more details on advanced controls.

Controls Accessories (order separately)



For Douglas Controls

- BT-DMSW-U-A Bluetooth 1 Zone Dimmer
- BT-4BTSW-U-A Bluetooth 4-Button Wall Station
- BT-8BTSW-U-A Bluetooth 8-Button Wall Station



For Enlighted Controls

- WS-2-00 Enlighted Remote Control Wall Switch (for Enlighted Connected & IoT)
- WS-2-00-IL Enlighted Remote Control Wall Switch (for Enlighted One)



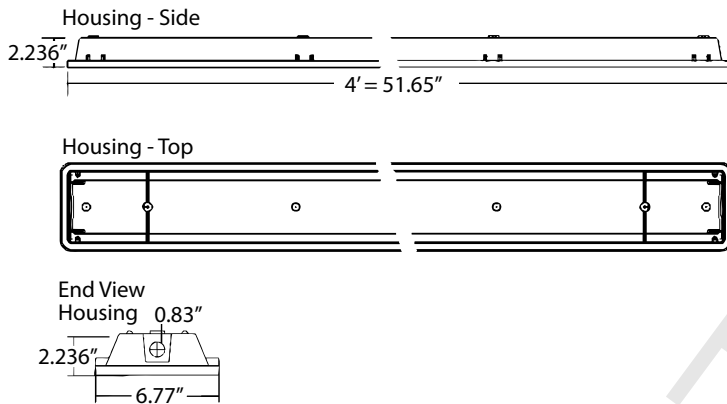
Performance Chart:

Catalog #	Lumens	Watts	LPW
NVL 4 F LW UV CFP 835	2292	18	127.3
NVL 4 F MD UV CFP 835	4259	34	125.3
NVL 4 F HI UV CFP 835	6572	55	119.5
NVL 4 F VH UV CFP 835	8059	66	122.1

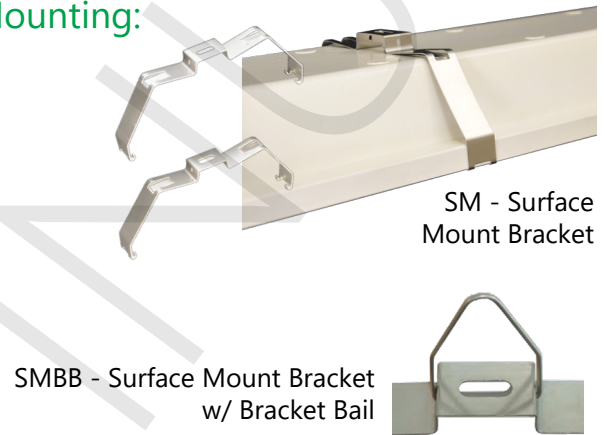
Catalog #	Lumens	Watts	LPW
NVL 4 F LW UV CFP 840	2363	18	131.3
NVL 4 F MD UV CFP 840	4391	34	129.1
NVL 4 F HI UV CFP 840	6776	55	123.2
NVL 4 F VH UV CFP 840	8308	66	125.9

Catalog #	Lumens	Watts	LPW
NVL 4 F LW UV CFP 850	2434	18	135.2
NVL 4 F MD UV CFP 850	4523	34	133.0
NVL 4 F HI UV CFP 850	6979	55	126.9
NVL 4 F VH UV CFP 850	8557	66	129.7

Schematic:



Mounting:



Dimming Sensors (Z221B/Z321B)

- The Wattstopper FSP sensor provides multi-level control based on motion and/or daylight contribution
- Rated for cold locations
- Parameters for Bluetooth-enabled Z321B adjustable via phone app - iOS or Android
- Parameters for Z221B adjustable via wireless configuration tool (FSIR-100 - sold separately)
- Three lenses available, tailored for the ideal detection area and mounting height:
  - L2: 360° lens, maximum coverage 48', diameter from 8' height
  - L3: 360° lens, maximum coverage 40', diameter from 20' height
  - L7: 360° lens, maximum coverage 100', diameter from 40' height



Douglas Lighting Controls, Inc.: Intelligent Fixture Controller (IFC)

The NVLF can be equipped with the Douglas Bluetooth Intelligent Fixture Controller (IFC).

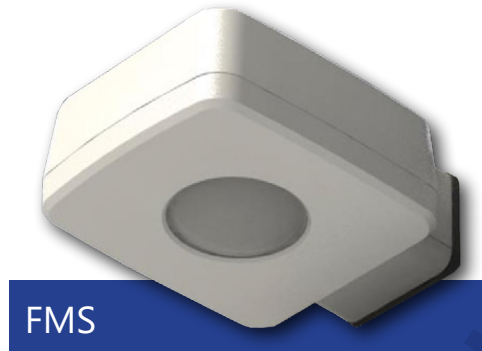


- 0-10V dimming with dim-to-off
- Bluetooth beacon for digital ceiling, IoT and location service strategies
- 150-foot clear line of sight, 50 feet through standard walls
- May be used with dual-channel, tunable white LED drivers providing auxiliary power and dim-to-off capability
- Commissioning through Douglas Lighting Controls, Inc. app from Apple app store
- Listed for emergency control when used on dedicated emergency power bus

## Douglas Lighting Controls, Inc.: High bay sensors

The NVLF can be equipped with the Douglas FMS sensor, which is designed for high bay applications.

With a max sensor height up to 40 feet, the FMS is ideal for applications like warehouses and manufacturing facilities. It can be installed for on/off control or bi-level light functionality. The daylight sensor provides additional savings by dimming the lights to work with the amount of natural available daylight.



- Configuration from the floor via smartphone app
- Bluetooth mesh network is created between devices for control over a group of Douglas sensors
- Occupancy and daylight sensing
- IP65-rated
- 0-10V dimming
- 150 feet clear line of site, 50 feet through standard walls (distances may vary based on location and environment)

## CheckLight® Energy Management System

Douglas controls can be integrated with the CheckLight® Energy Management system. This system can help you uncover energy conversion opportunities, create conservation strategies, analyze lighting load inefficiencies, and make configuration changes from anywhere with Douglas' user-friendly interface. You can get measurements, reports, and control your system from a web-based application.

CheckLight® has the capability to look at different facilities within a portfolio and use data benchmarks to compare building performances.

- Find energy conservation opportunities
- Create energy saving strategies
- Analyze load inefficiencies
- Optimize energy management

## Enlighted: All-in-one sensors, upgradeable systems

Enlighted's IP65-rated Ruggedized Sensor is an all-in-one unit: task tuning, high-end trimming, daylight harvesting, and occupancy/vacancy detection. Max installation height is 50 feet.

Enlighted sensors come standard with the Enlighted One system (the "ZENLO" option). Enlighted Connected ("ZENLC") offers even more options. The Enlighted IoT ("ZENLI") option allows the full implementation of Enlighted's services. Each system can be fully upgraded to the next tier in the future. So if you start with Enlighted One but want to add energy reporting or building management systems integration in the future, you can.

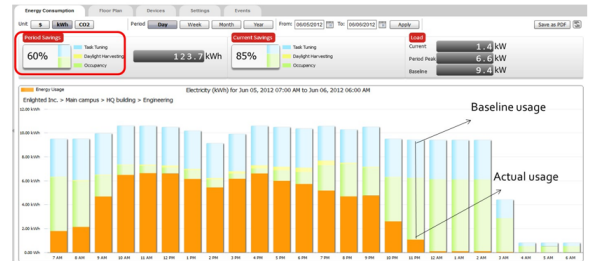
Enlighted Capabilities*	Enlighted One (ZENLO)	Enlighted Connected (ZENLC)	Enlighted IoT (ZENLI)
Motion and Switch Groups	✓	✓	✓
Daylight Harvesting	✓	✓	✓
Schedule Lighting		✓	✓
Energy Reporting & Optimization		✓	✓
Environment Data & Lighting Controls API		✓	✓
Building Management System Integration		✓	✓
Where & Space Applications			✓
Location & Occupancy APIs & Beacons			✓
Future App & API Ready			✓

**Note:** Additional equipment required for ZENLC and ZENLI

## Real-time data analytics

Enlighted's control units compile data in real-time, which can be viewed via the Energy Manager. The Energy Manager is part of the Enlighted Connected and Enlighted IoT configurations.

- Real-time measurements and verification of energy savings
- Space analytics - data can be compiled into motion trails and heat maps
- Analyze traffic density and congestion in a space



Learn more about our available advanced controls options here:

[www.lumenfocus.com/controls-overview](http://www.lumenfocus.com/controls-overview)

© 2021 Enlighted for all Enlighted content and images.

© 2021 Douglas Lighting Controls, Inc. for all Douglas content and images. The Bluetooth® word, mark and logos are registered trademarks owned by the Bluetooth SIG, Inc. and any use of such marks by Douglas Lighting Controls is under license. Other trademarks and trade names are those of their respective owners.

