



Project: _____
 Location: _____
 Cat. #: _____
 Type: _____
 Quantity: _____

LED

PGx | LED Parking Garage Canopy Light

Features:

- High performance LED technology
- 0-10V dimming drivers standard on all models except PGS LW
- 2kV surge protection on PGS LW, 4kV surge protection on all other models. 10kV surge protection optional.
- Can be surface or pendant mounted for added flexibility
- Multi-level control based on motion and/or daylight detection allows for maximum energy savings with optional microwave sensor.

Applications:

Suitable for most parking garage and canopy applications.

Ambient Operating Temp.:

- -20°C to 55°C

Predicted L70 Lifetime:

- >150,000 hrs (calculated)
- (based on LM-80, TM-21 and in-situ laboratory testing)*

Construction:

- Die cast aluminum housing
- Polycarbonate lens
- Bronze or white powdercoat finish

Certifications:

- cULus listed for wet locations
- IP65



Warranty:

- 5 year limited system warranty
- see www.LumenFocus.com for complete warranty terms and conditions



Ordering Guide:

example: PGS MD 5 UV CP 840-MSD WH

Series	Size	Output	Optic	Voltage	Shielding	CRI/CCT	-	Options	Finish
PG			5	UV	CP		-		
PG	S Small (9.5" x 9.5" Housing)	LW Low ⁽¹⁾	5 Type V	UV 120-277V	CP Clear Polycarbonate Lens	840 80 CRI/4000K	-	Blank No Options	BZ Bronze ⁽³⁾
		MD Medium ⁽¹⁾				850 80 CRI/5000K ⁽³⁾		SP 10kV Surge Protection	WH White ⁽⁴⁾
		HI High ⁽¹⁾						MSD Microwave Daylight/Motion Sensor with Dimming	
	M Medium (11.8" x 11.8" Housing)	VH Very High ⁽²⁾							

Notes

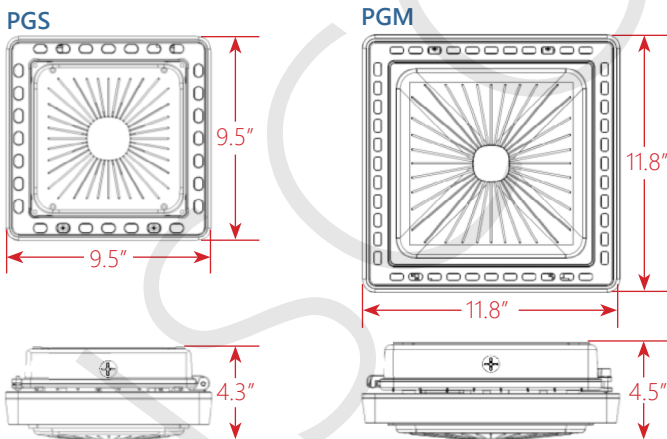
- ⁽¹⁾ Available for PGS only
- ⁽²⁾ Available for PGM only
- ⁽³⁾ Not available for PGS MD
- ⁽⁴⁾ Not available for PGS HI or PGM VH

Performance Chart:

Catalog #	Lumens	Wattage	LPW	BUG Rating
PGS LW 5 UV CP 840	3137	24	131	B2-U2-G1
PGS MD 5 UV CP 840	4943	40	124	B2-U2-G1
PGS HI 5 UV CP 840	7002	56	125	B3-U2-G1
PGM VH 5 UV CP 840	12516	102	123	B3-U3-G2

Catalog #	Lumens	Wattage	LPW	BUG Rating
PGS LW 5 UV CP 850	3149	24	131	B2-U2-G1
PGS HI 5 UV CP 850	7077	56	126	B3-U2-G1
PGM VH 5 UV CP 850	12708	102	125	B3-U3-G2

Schematics:



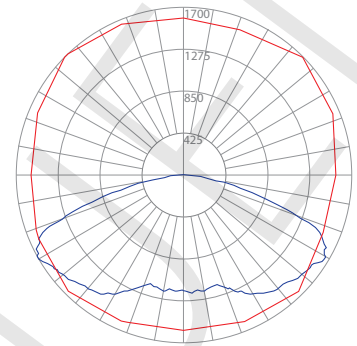
Photometric Data:

PGS HI 5 UV CP 840

Test No.: T2018619 1034
 Luminaire Lumens: 7,002 lm
 Luminaire Watts: 55.6W
 Efficacy: 126.0 LPW
 Spacing Criterion (0-180): 1.88
 Spacing Criterion (90-270): 1.92

Luminance Data (cd/sq.m)

Angle In Degrees	Average 0-Deg	Average 45-Deg	Average 90-Deg
45	67228	66876	68282
55	80086	84827	81348
65	95273	108431	101723
75	56526	77157	62892
85	37061	33090	43061



Coefficients Of Utilization - Zonal Cavity Method
 Effective Floor Cavity Reflectance 0.20

RC	80				70				50				30		
	70	50	30	10	70	50	30	10	50	30	10	50	30	10	
0	119	119	119	119	116	116	116	116	111	111	111	106	106	106	
1	106	101	96	91	104	98	94	90	94	90	87	90	87	84	
2	95	85	77	70	92	83	76	69	79	73	67	76	70	66	
3	85	72	63	55	82	71	62	55	67	60	54	64	58	52	
4	76	63	52	45	74	61	52	44	58	50	43	56	49	43	
5	69	55	44	37	67	53	44	37	51	43	36	49	41	35	
6	63	48	38	31	61	47	38	31	45	37	30	43	36	30	
7	58	43	33	26	56	42	33	26	40	32	26	39	31	26	
8	54	39	29	23	52	38	29	23	37	28	23	35	28	22	
9	50	35	26	20	48	35	26	20	33	25	20	32	25	20	
10	47	32	24	18	45	32	23	18	30	23	18	29	22	17	

Zonal Lumen Summary

Zone	Lumens	%Fixt
0-20	443.88	6.30
0-30	1047.94	15.00
0-40	1966.38	28.10
0-60	4571.83	65.30
0-80	6774.42	96.80
0-90	6946.39	99.20
90-120	42.13	0.60
90-130	46.21	0.70
90-150	52.06	0.70
90-180	55.41	0.80
0-180	7001.80	100.00

Tested in accordance with IES standards utilizing absolute photometry per LM-79-08

