



Project: _____
Location: _____
Cat. #: _____
Type: _____
Quantity: _____

UV-C 254NM

GLS | Germicidal Direct Surface Mount

Features:

- Direct germicidal 254nm UVC air and surface disinfection in a surface-mounted fixture
- For unoccupied spaces only
- Low-wattage, ozone-free, low-pressure mercury lamps
- Electronic ballast specifically matched to lamps for optimal performance and lifetime
- Easy re-lamping process
- Wire guard comes standard

Applications:

Suitable for most commercial and institutional applications when space is unoccupied:

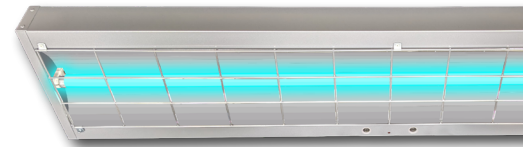
- Lobbies
- Offices
- Bathrooms
- Hotels
- Retail

Construction:

- Housing constructed of durable cold rolled steel with a silver (standard), white or black powder coat finish
- Stainless steel housing optional
- Polished aluminum reflector optimized for dispersion of UVC wavelength for irradiation of pathogens

Warranty:

- 3 year limited system warranty - excludes lamps
- Lamps covered under manufacturer warranty



Ordering Guide:

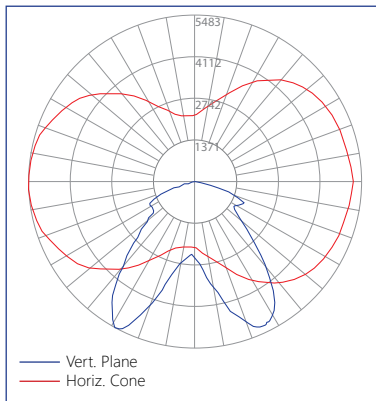
example: GLS 14 1 36 GUVT8 UNV W

Series	Size	No. of Lamps	Lamp Wattage	Lamp Type	Voltage	Finish
GLS	14	1	36	GUVT8	UNV	
GLS Surface/ Ceiling Mount	14 1'x4'	1 Single Lamp	36 36 Watts (Single Lamp)	GUVT8 Germicidal T8 UVC Lamp	UNV 120-277	S Silver (Standard) W White Black Black SS Stainless Steel

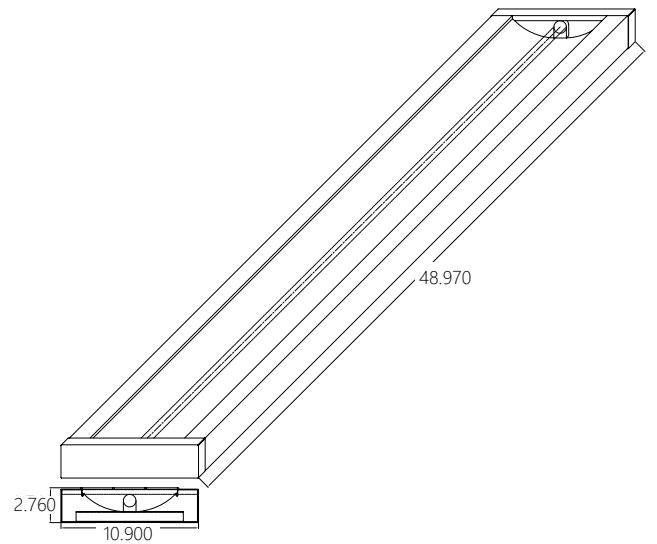
Radiometric Data:

GLS 4 1 36 GUVT8 UNV

Test No.: LLIA001321-001
 UV-C Watts per Lamp: 14,415 mW (15,500 mW with 0.93 BF)
 Luminaire UV-C Watts: 11,757 mW
 Total Luminaire Efficiency: 81.6%
 Luminaire Input Watts: 41.6W



Schematic:



Note: UVFocus products are designed utilizing proven germicidal and anti-bacterial technology. UVC 254nm products work to deactivate most common viruses (as well as bacteria, molds and yeasts), and 405nm near-UV products are shown to substantially reduce bacterial presence. While these products can be considered disinfecting products, they should be used in conjunction with standard, proper disinfecting cleaning procedures to have the greatest impact for maintaining a clean environment. Successful UV disinfection requires a systems approach taking into account dose, optics and safety relevant to the specific application. Please consult with factory any questions or concerns.

Caution: Potentially hazardous situation. This product is intended for use in **unoccupied rooms only**. At 254nm, direct UVC irradiation is not safe for humans. Avoid looking directly at the light and take necessary precautions during installation or maintenance of this product. Lamps used in this product contain mercury. Each product ships with warning labels on the fixture and safety handling guides in the cartons. Please read and heed all safety instructions before using this product.

