

# LUMEN FOCUS FFR KIT WITH EM PACK INSTALL INSTRUCTIONS

**WARNING - RISK OF FIRE OR ELECTRIC SHOCK.**

INSTALL THIS KIT ONLY IN LUMINAIRES THAT HAVE THE CONSTRUCTION FEATURES AND DIMENSIONS SHOWN IN THE PHOTOGRAPHS AND / OR DRAWINGS AND WHERE THE INPUT RATING OF THE RETROFIT KITS DOES NOT EXCEED THE INPUT RATING OF THE LUMINAIRE.

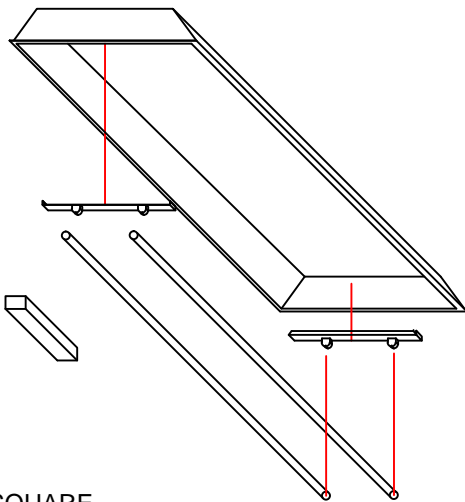
**WARNING - TO PREVENT WIRING DAMAGE OR ABRASION, DO NOT EXPOSE WIRING TO EDGES OF SHEET METAL OR OTHER SHARP OBJECTS.**

**WARNING - RISK OF FIRE OR ELECTRIC SHOCK.**  
LUMINAIRE WIRING AND ELECTRICAL PARTS MAY BE DAMAGED WHEN DRILLING FOR INSTALLATION OF LED RETROFIT KIT. CHECK FOR ENCLOSED WIRING AND COMPONENTS.

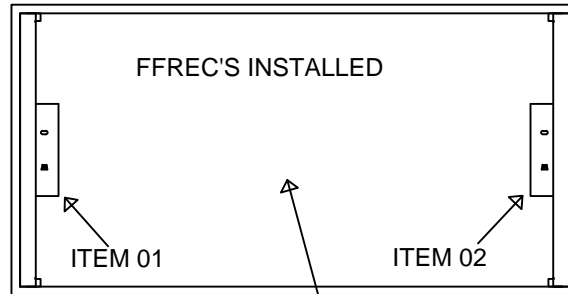
## REMOVAL PROCESS

1. TURN OFF POWER
2. REMOVE LENS / DOORFRAME FROM FIXTURE
3. REMOVE LAMPS (RECYCLE AS NEEDED)
4. REMOVE FLUORESCENT REFLECTOR, BALLAST, SOCKETBARS, AND ANY EXCESS WIRING FROM FIXTURE

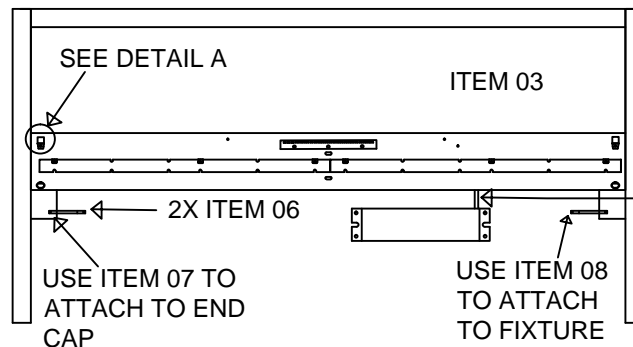
## 2X4 KIT SHOWN



## BOTTOM VIEW



## VIEW WITH SAFETY CABLES INSTALLED



**CAUTION: DO NOT MAKE OR ALTER ANY OPEN HOLES IN THE ENCLOSURE OF WIRING OR ELECTRICAL COMPONENTS DURING KIT INSTALL.**

**WARNING - RISK OF FIRE, ELECTRIC SHOCK, OR PERSONAL INJURY. BEFORE INSTALLATION TURN POWER OFF.**

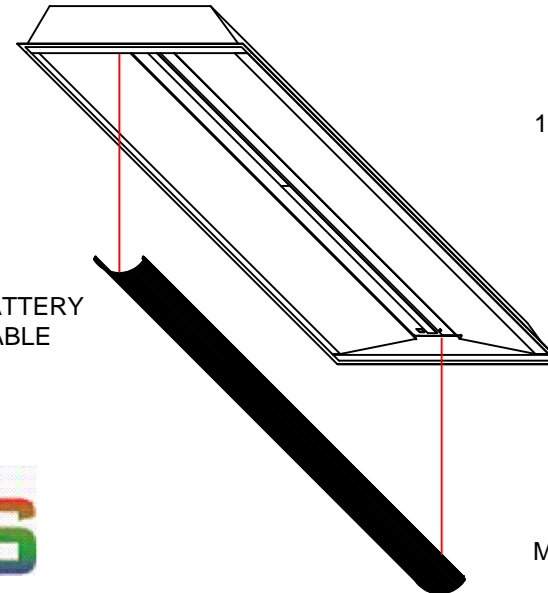
**WARNING - RISK OF FIRE OR ELECTRIC SHOCK, LED RETROFIT KIT INSTALLATION REQUIRES KNOWLEDGE OF LUMINAIRE ELECTRICAL SYSTEMS. IF NOT QUALIFIED DO NOT ATTEMPT INSTALLATION. CONTACT A QUALIFIED ELECTRICIAN.**

## PARTS LIST FOR FFR KIT

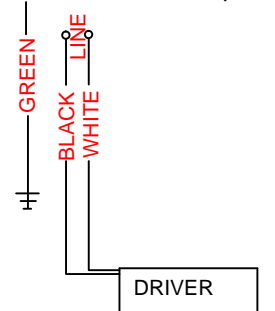
LINE NO.	QTY	PART NAME
01	1	FFR ENDCAP LEFT HAND
02	1	FFR ENDCAP RIGHT HAND
03	1	FFR LED PANEL
04	1	FFR BLANK PANEL
05	2	QUARTER TURNS
06	2	SAFETY STRAPS
07	2	SELF-TAPPING SCREWS
08	4	TEK SCREWS
09	1	LENS
10	1	873-902 DISCONNECT

## INSTALL INSTRUCTIONS

1. PLACE INSIDE AND SLIDE END CAPS TO EACH END OF THE TROFFER.
2. SLIDE LED PANEL BETWEEN GRID AND TROFFER. FASTEN USING SQ CUTOUT ON LED PANEL AND FORM TAB ON END CAP. SEE DETAIL A.
3. INSTALL EM BATTERY PACK IN APPROXIMATE LOCATION SHOWN IN TROFFER USING TEK SCREWS.
4. CONNECT LED PANEL ELECTRICAL WITH PROVIDED DISCONNECT. WHITE (NEUTRAL) TO WHITE, BLACK (POWER FEED) TO BLACK, GREEN (GROUND) TO FIXTURE BACK WITH SCREW.
5. INSTALL SAFETY STRAP AT EACH END OF FIXTURE. USING (1) OF ITEM 07 TO ATTACH STRAP TO END CAP. CONNECT OTHER END WITH ITEM 08.
6. SLIDE BLANK PANEL BETWEEN GRID AND TROFFER. FASTEN WITH (2) ITEM 05.
7. SNAP LENS INTO TRACK.
8. TURN POWER BACK ON.



**WIRE SCHEMATIC**  
Line side input to driver  
120V to 277V and all voltages in between 120V - 277V input



WHEN INSTALLING KIT MAINTAIN EXISTING GROUND ON THE FIXTURE

